

hello

Thank you for buying the Bugaboo Donkey® and welcome to the world of modern mobility.

At Bugaboo®, we help parents and children to discover the world. Our aim is to create a safe and comfortable journey, to help make the world accessible while recognizing the many different ways there are to get out and go.

The Bugaboo Donkey is Bugaboo's mono-duo-mono convertible stroller for kids and goods. Designed to grow and flow with your family. From newborns, to toddlers, to twins, to everyday goods, we created the Bugaboo Donkey with custom configurations in mind.

In few seconds the Bugaboo Donkey converts from a full-sized mono stroller to a full-sized side-by-side duo stroller and back again to a mono; this makes it suitable for your first child, your second child, or both at the same time, or for twins. Almost as important, the Bugaboo Donkey meets parents' needs for more flexible and multiple storage spaces.

Above all, the Bugaboo Donkey is designed to be the only stroller your family will ever need.

Please complete the product registration card included in the packaging or register online at bugaboo.com/register. The information you provide will only be used to contact you in the event of a necessary upgrade of your Bugaboo stroller.

The Bugaboo Donkey complies with:

- EN 1888:2003 +A1/A2/A3:2005 and is certified by TÜV Süd to bear the TÜV and GS markings.
- ASTM F833:09 and is certified by the Juvenile Products Manufacturing Association (JPMA).










© Copyright 2010 003142 rv00 Bugaboo® International BV. The information contained herein is subject to change without notice. Bugaboo International BV shall not be liable for technical errors or omissions contained herein. The purchased product may differ from the product as described in this user guide. Our most recent user guides can be requested at our service departments or at www.bugaboo.com. TM @ BUGABOO and the Bugaboo logos, FROG, GECKO, CAMELEON, BEE and DONKEY are registered, pending or claimed trademarks of Bugaboo International BV. The Bugaboo strollers are patented and designed model protected.

contents

introduction

in the box	22
user guide visual language	25
meet the bugaboo donkey	26
warnings	28
important information	30
maintenance tips	31
cleaning the fabrics	31
accessories	32
warranty	33
replaceable parts	35
contact	35

setting up the bugaboo donkey

	assembling the chassis	282
	attaching the underseat basket	284
	assembling the bassinet	286
	assembling the seat	288
	assembling and attaching the sun canopy	290
	attaching the side luggage basket	292
	adjusting the width of the chassis	293

using the bugaboo donkey

	using the brake	294
	adjusting the handlebar	295
	using the bassinet	296
	using the seat	298
	using the harness	301
	folding with bassinet facing parent	302
	folding with seat facing parent	304
	folding with seat facing the world	306
	using the wrist strap	308
	locking/unlocking the swivel wheels	309
	using the two wheel position	310
	removing the wheels	312
	using the rain cover	313

NL

EN

DE

FR

ES

IT

PT

EL

SV

NO

DA

FI

CS

PL

SL

TR

HE

in the box

Take a minute to check the contents of your packages, depending for which family situation you have chosen your Bugaboo Donkey (the numbers below refer to the boxes of the Bugaboo Donkey). If something is missing, please contact your retailer.



1

2



1

2

3

4



1

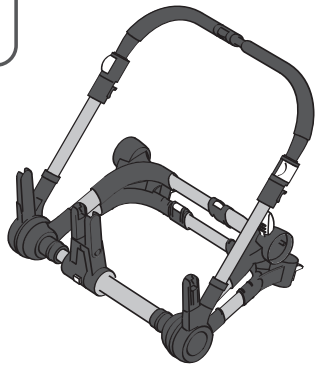
2

2

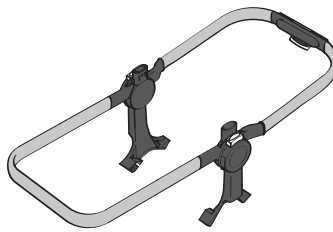
3

5

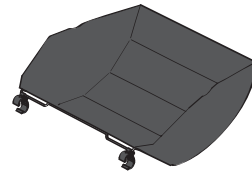
1



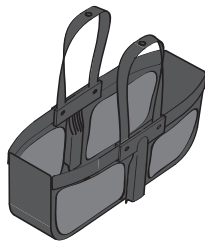
chassis



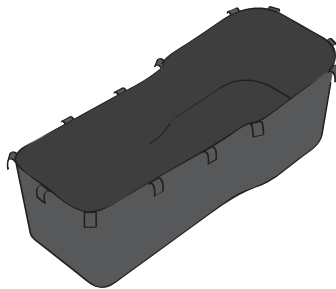
frame



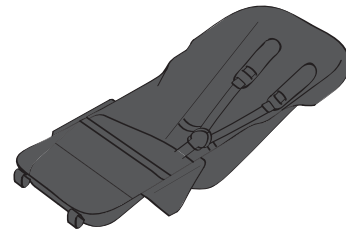
underseat basket



side luggage basket



bassinet



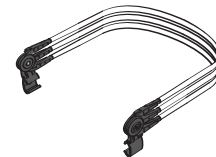
seat



swivel wheels



rear wheels



sun canopy wires
and clamps



carry handle



raincover

2



sun canopy



bassinet apron

NL

EN

DE

FR

ES

IT

PT

EL

SV

NO

DA

FI

CS

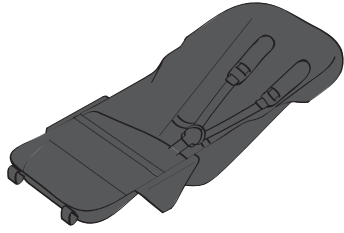
PL

SL

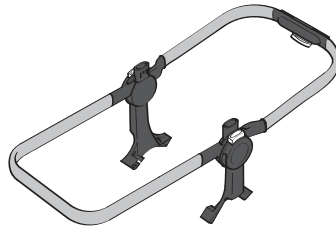
TR

HE

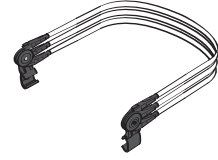
3



seat



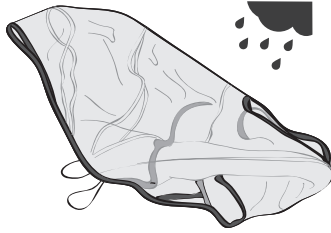
frame



sun canopy wires and clamps



carry handle



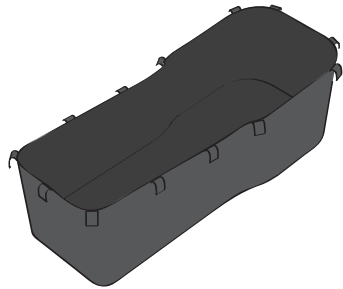
rain cover

4



sun canopy

5



bassinet

user guide visual language

In this user guide we make use of a visual language. Below you can find the meaning of all visuals used.



visual check OK



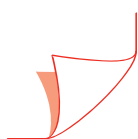
visual check wrong



audible click



movement in the indicated direction



instructions continue on next page

3x

repeat action on similar part(s)



Some instructions require special attention for ensuring the safe use of the Bugaboo Donkey. When you see this symbol in the instructional part of the user guide, please refer to the indicated group of warnings in the "WARNINGS" chapter.

For example, if you see  , please refer to the warnings under the section "**II. recommended weights**".

NL

EN

DE

FR

ES

IT

PT

EL

SV

NO

DA

FI

CS

PL

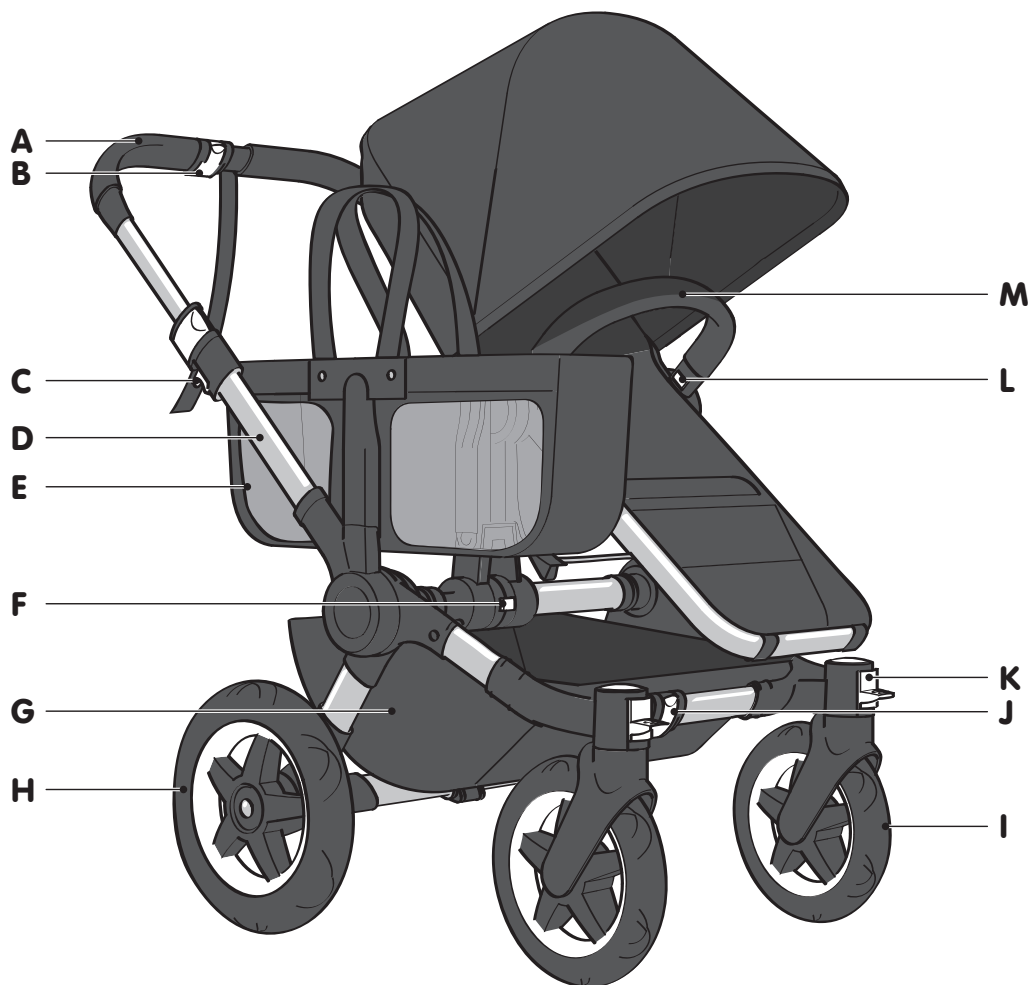
SL

TR

HE

meet the bugaboo donkey

All the white parts of your Bugaboo Donkey are functional. They're the parts that allow you to adapt and change your Bugaboo Donkey.



- A. handlebar
- B. handlebar width adjustment clip
- C. folding lock
- D. chassis
- E. side luggage basket
- F. width adjustment button
- G. underseat basket

- H. rear wheel
- I. swivel wheel
- J. front width adjustment clip
- K. swivel lock
- L. carry handle release button
- M. carry handle



- N. backrest adjustment handle
- O. folding lock with secondary lock
- P. wrist strap
- Q. seat
- R. brake

- S. rear width adjustment clip
- T. frame release button
- U. handlebar adjustment clip
- V. sun canopy



WARNINGS

I. general

1. Read these instructions carefully before use and keep them for future reference. Your child's safety may be affected if you do not follow these instructions.
2. Failure to follow these warnings and conditions could result in serious injury or death.
3. Never leave your children unattended.
4. Do not use the Bugaboo Donkey if any part is broken, torn or missing.
5. This product is not suitable for running and skating.
6. Do not take your stroller on the escalator.
7. Do not allow the Bugaboo Donkey to be used as a toy.
8. When adjusting the Bugaboo Donkey, children should be kept clear of moving parts while making adjustments.
9. Always apply the brake when loading or unloading the children.
10. Ensure that all the locking devices are engaged before use.
11. Always secure the side luggage straps as per instructions to prevent strangulation hazard.

II. recommended weights

12. The Bugaboo Donkey is suitable from birth and designed to accommodate your children from infant (0 months) to toddler (up to a weight of 17 kg (37.5 lb) per seat).
13. Maximum weight for the side luggage basket is 5 kg (11 lb).
14. Maximum weight for the underseat basket is 10 kg (22 lb).
15. Use only manufacturer recommended weights in the baskets otherwise the stroller may become unstable.
16. The product will become unstable if the manufacturer's recommended load is exceeded.
17. Any load attached to the handlebar affects the stability of the stroller.

III. using the bassinet on the chassis

18. The bassinet is not intended for use by children older than 6 months or children who can sit unaided.
19. The bassinet is suitable only for a child who cannot sit unaided, roll over and cannot push itself up on its hands and knees. Maximum weight of the child: 9 kg (20 lb).
20. Do not add a mattress thicker than 25 mm.

IV. using the seat on the chassis

21. Use a harness as soon as your child can sit unaided.
22. Always use the crotch strap in combination with the waist belt.
23. The seat is not suitable for children under 6 months.
24. Avoid serious injury from falling or sliding out. Always use the harness.
25. Check that the seat unit attachment devices are correctly engaged before use.

V. using the bassinet independently of the chassis

26. Never use the bassinet on a stand.
27. Use only on a firm ground which is horizontal, level and dry. Never use on soft surfaces.
28. Do not let other children play unattended near the bassinet.
29. Never use the bassinet on an elevated surface: e.g. a table.
30. Never use the bassinet as a means to transport an infant in a motor vehicle.
31. Infants can suffocate:
 - In gaps between an extra pad and the side of the bassinet.
 - On soft bedding.
32. Use the bassinet as provided by Bugaboo. If an extra sheet, pad, pillow, mattress, or comforter is added, use the one provided by Bugaboo or products approved by Bugaboo for use with the Bugaboo Donkey.

VI. using the seat independently of the chassis

33. Use only on a firm ground which is horizontal, level and dry. Never use on soft surfaces.
34. Never use the seat on an elevated surface: e.g. a table.
35. The seat is not intended for prolonged periods of sleeping.
36. Always use the harness.
37. Do not use the seat for children heavier than 9 kg (20 lb).
38. Never use the seat as a means to transport children in a motor vehicle or bicycle.

VII. using the two wheel position

39. Always use the wrist strap when in two wheel position.
40. Do not use the bassinet in the two wheel position



Some instructions require special attention for ensuring the safe use of the Bugaboo Donkey. When you see this symbol in the instructional part of the user guide, please refer to the indicated group of warnings in the "WARNINGS" chapter.

For example, if you see , please refer to the warnings under the section "**II. recommended weights**".

important information

- Do not assemble or use the Bugaboo Donkey until you have read the user guide.
- Check the safety of the Bugaboo Donkey before each use. Ensure that the seat fabric, the brake and the harness are all working properly, the handlebar is locked and that the seat is fitted correctly to the chassis.
- Check to see if the Bugaboo Donkey is damaged. You should ensure that any damaged or worn parts are repaired immediately.
- To ensure complete safety for your child do not use the Bugaboo Donkey until any damaged or worn parts have been repaired or replaced.
- Only use authentic Bugaboo replacement parts and Bugaboo accessories or products approved by Bugaboo for use with the Bugaboo Donkey. It is unsafe to use products that are not approved by Bugaboo.
- The Bugaboo Donkey frame (no. 180202) should only be used with the Bugaboo Donkey chassis (no. 180200). Do not use Bugaboo Donkey parts or components with any non-approved stroller or any other Bugaboo product.
- Do not use the Bugaboo Donkey near open flames or other sources of heat. Avoid exposing the Bugaboo Donkey to extreme temperatures.
- The Bugaboo Donkey is not resistant to saltwater.
- Always use the safety features of your Bugaboo Donkey, including locking devices, brake, the harness and the wrist strap (see this user guide for additional information). Check and maintain all safety features frequently.
- Take your child or children out of the Bugaboo Donkey when going up or down stairs and around steep or unstable conditions. Also, take extra care when going up or down a curb or other uneven surfaces.
- This vehicle requires regular maintenance by the user.
- The warranty does not cover damage to the Bugaboo Donkey caused by overloading, incorrect folding or the use of non-original accessories.
- The Bugaboo Donkey is designed to carry up to two children in the duo position and a third child on the wheeled board, according to the usage instructions.
- Never pick up the Bugaboo Donkey and chassis by the carry handle while your child is lying or sitting in the bassinet or seat.
- Do not put more than 13 kg (28.7 lb) in one car seat or each when two car seats are attached to the stroller.
- Keep children and appendages away from the adapter interface when attaching the car seat or car seats.
- Do not allow children heavier than 20 kg (44 lb) to stand on the wheeled board.
- Be aware of the risk of open fire and other source of strong heat, such as electric bar fires, gas fires, etc. in the near vicinity of the bassinet.
- To reduce the risk of SIDS, pediatricians recommend healthy infants are placed on their backs to sleep, unless otherwise advised by your physician.
- Never use the Bugaboo Donkey without the underseat basket attached to the chassis.
- Take your child or children out of the stroller when travelling by bus or train.

maintenance tips

After a few tough months on the streets the Bugaboo Donkey may begin to get a bit dirty. These tips will help you take care of your Bugaboo Donkey and keep a smooth ride.

- Clean the chassis with a soft towel and lukewarm water and wipe off any remaining water with a dry cloth.
- Use a soft brush to clean sand and dirt from the mechanisms and sliding tubes of the chassis. Take care to brush away from any sliding joints.
- Use a sponge, warm water and liquid soap to gently rub off any dirt on the handlebar foam. Wipe clean any soap residue left on the handlebar.
- Use a brush and water to clean dirt on the wheels. Periodically, remove the wheels from the chassis and brush off any dirt or sand in the inside axle of the wheel.
- Do not over-inflate the wheels; maximum wheel pressure is 2 bars (29 psi).
- Store your Bugaboo Donkey and its accessories in a dry place and leave them unfolded when wet to prevent mould.

For more tips on how to maintain your Bugaboo Donkey, visit bugaboo.com.

cleaning the fabrics

The Bugaboo Donkey bassinet and seat fabrics are detachable and machine washable. When washing, don't forget:

- maximum temperature 30°C/85°F (cold wash)
- do not use bleach or aggressive detergents
- do not tumble dry
- do not iron
- do not dry clean
- always wash separately

Always check the fabric label before washing.

The aerated inlay of the mattress can be washed at 60°C. The aerated inlay is placed on top of the thicker foam mattress and can be taken off by removing the mattress cover. After washing, ensure that all mattress parts are replaced in their original positions, with the aerated inlay placed on top of the foam mattress. Do not use the mattress without the aerated inlay.

The Bugaboo Donkey side luggage basket and the underseat basket are non-washable, but can be wiped clean with a damp cloth.

NL

EN

DE

FR

ES

IT

PT

EL

SV

NO

DA

FI

CS

PL

SL

TR

HE

accessories

Bugaboo offers a range of accessories which fit to your stroller in Bugaboo style. Add extra comfort or customize the look of your Bugaboo stroller!

breezy sun canopy

This innovative canopy is designed to reflect the sun and allow for extra ventilation, which keeps your child protected from the sun and cooler on warm days.

car seat adapters

The car seat adapters enable you to effortlessly attach specific car seats to the chassis of your Bugaboo stroller and keep you mobile.

footmuff

The footmuff is lined with a soft fabric containing a bamboo charcoal and polyester combination to help your child stay warm and comfortable on cold days.

parasol

The parasol is designed to be easily attached to your Bugaboo stroller and keep your child shaded on sunny days.

seat liner

The seat liner keeps your child comfortable. The breathable fabric and aerated inside pulls away moisture. It adds color to your stroller. Just choose the color that matches your mood.

bugaboo bag

The sleek design and surprisingly functional interior make the Bugaboo Bag a permanent accessory to be used well beyond childhood.

cup holder

The cup holder attaches to the handlebar of your Bugaboo stroller and provides an accessible place to store a bottle of water or a sippy cup.

transport bag

Fully padded and equipped with rubber wheels and a handle, the transport bag makes it easy to pack and transport your Bugaboo stroller and its accessories.

wheeled board

The wheeled board can be attached to your Bugaboo stroller – making it easy to stroll with more than one child.

Find more information on accessories by visiting bugaboo.com.

warranty (not for usa and canada)

As the manufacturer, Bugaboo International BV, which has its principal place of business in Amsterdam (hereinafter: "Bugaboo"), supplies the Bugaboo Donkey (hereinafter: "product") under warranty, subject to the following conditions:

1. The warranty period is 24 months, from the date of purchase. The warranty period shall never be extended, even in the event of repairs being made.
2. This guarantee is valid all over the world, except in the United States of America and Canada.
3. The warranty provides a right to repair and specifically not to a product's exchange or return.
4. Bugaboo shall bear the expense and risk of transport from and to the retailer (hereinafter: "the retailer") where you purchased the product, provided the repair is covered by warranty.
5. The warranty may only be invoked if you provide Bugaboo with the following, along with the defective product:
 - a copy of the dated receipt of purchase, and
 - a clear description of the complaint.
6. The warranty is not transferable and may therefore only be invoked by the first owner.
7. The warranty does not affect any statutory rights you may have, for example the right to hold the retailer accountable for defects.

No warranty will be provided in the following circumstances:

- If you have made or arranged for modifications or repairs to be made without written permission first having been received from Bugaboo or the retailer.
- Defects resulting from neglect or an accident and/or from any use or maintenance other than that indicated in the user guide.
- If the serial number has been damaged or removed.
- Damage to the product caused by normal wear.

important

The product is covered by a 24-month warranty from the date of purchase. In the event of a defect, you are requested to first contact your retailer. If the retailer is unable to repair the defect, you can contact Bugaboo. Keep the user guide and purchase receipt in a safe place.

NL

EN

DE

FR

ES

IT

PT

EL

SV

NO

DA

FI

CS

PL

SL

TR

HE

bugaboo limited warranty (usa & canada only)

Bugaboo warrants this product to be free from defects in material and workmanship existing at the time of manufacture for a period of two (2) years from the date of initial purchase (sales receipt is required for proof of purchase). If such a defect is discovered during the limited warranty period, we will, at our sole option, repair or replace your product at no cost to you. "Repair" options may include, at Bugaboo's discretion, providing purchasers with self-repair instructions, kits, and/or replacement parts. In the case of stroller models, fabrics or accessories discontinued or modified by Bugaboo before or during the Limited Warranty period, replaced products or repair parts may not be identical to the originals.

This Limited Warranty is applicable to all Bugaboo products subject to dated proof of purchase. **Please always keep your dated proof of purchase.**

This Limited Warranty does not cover claims resulting from misuse, abuse, neglect, improper assembly, maintenance, storage, or use, failure to follow instructions, alterations, modifications or repairs not made by Bugaboo or Bugaboo's authorized service agent, accidental damage, or normal wear and tear. In addition, this Limited Warranty does not cover corrosion or rust on the wheels and chassis due to environmental conditions, including high humidity, salt spray, ice or snow, damage to handle bar grips, or tire puncture.

This Limited Warranty extends only to the original retail purchaser of the product and is not transferable to anyone who obtains possession or ownership other than the original retail purchaser.

This Limited Warranty is exclusive and in lieu of any other warranty, written or oral, including but not limited to any express warranty of merchantability or fitness for a particular purpose. The duration of any implied warranties, including any implied warranty of merchantability or fitness for a particular purpose, is expressly limited to this Limited Warranty period.

The customer's exclusive remedy for breach of this Limited Warranty or of any implied warranty or of any other obligation arising by operation of law or otherwise shall be limited as specified herein to repair or replacement, at our sole option. In any event, responsibility for special, incidental, or consequential damages is expressly excluded.

United States and Canada: This Limited Warranty gives you specific legal rights; you may have other rights that vary from state to state or province to province. Some states or provinces do not allow limitations on how long an implied warranty lasts. Therefore, these above limitations and exclusions may not apply to you. Some states or provinces do not allow an exclusion or limitation of special, incidental or consequential damages, therefore, that limitation or exclusion may not apply to you.

replaceable parts

We pride ourselves on creating products based on high quality and standards. That's why only genuine Bugaboo parts or parts which have been approved by Bugaboo should ever be used in conjunction with the Bugaboo Donkey. If you need to replace a part of your Bugaboo stroller, please contact your retailer, or visit bugaboo.com for an extensive list of retailers near you. If you are residing in the USA, you can also purchase spare parts on-line at bugaboo.com.

contact

Before you start using your Bugaboo Donkey, make sure you fill out the product registration form on line at bugaboo.com.

We are always interested in your feedback and would like to hear your comments on the Bugaboo Donkey or any other Bugaboo product.

Please send us an email at service@bugaboo.com (North American residents, please use service.us@bugaboo.com), or visit our web site at bugaboo.com/register to create your personal account and sign up to participate in Bugaboo consumer research and receive the Bugaboo online newsletter.

NL

EN

DE

FR

ES

IT

PT

EL

SV

NO

DA

FI

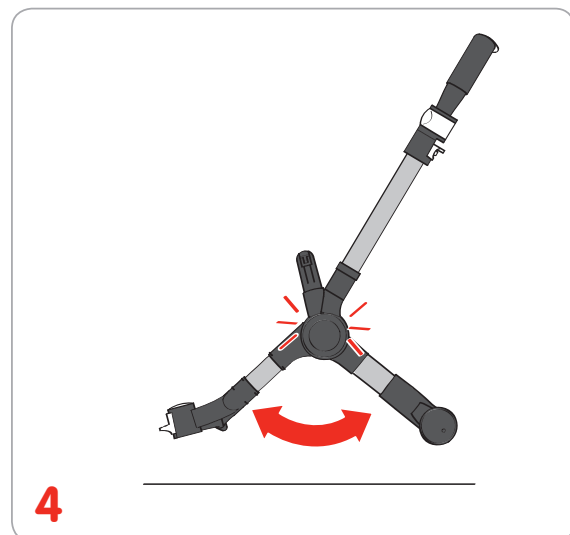
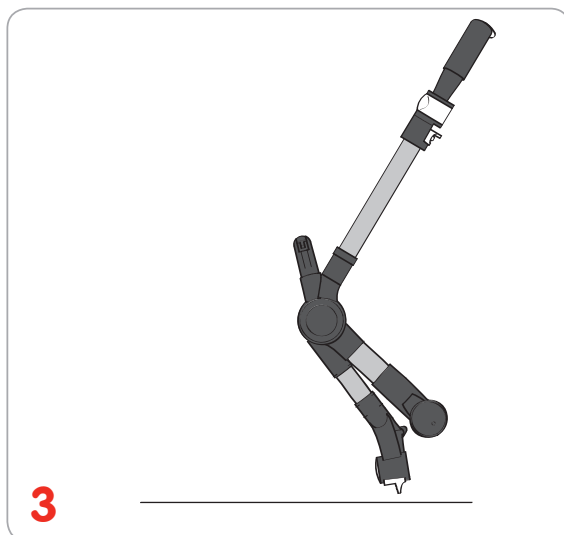
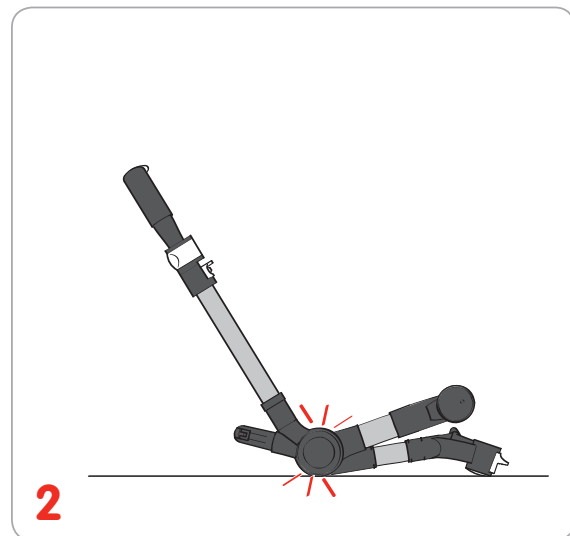
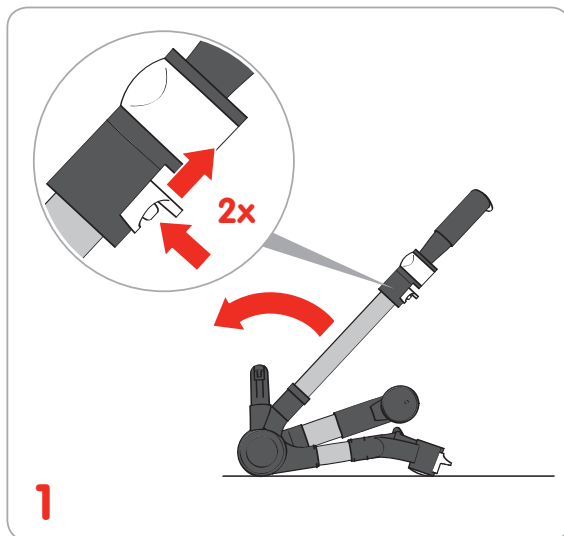
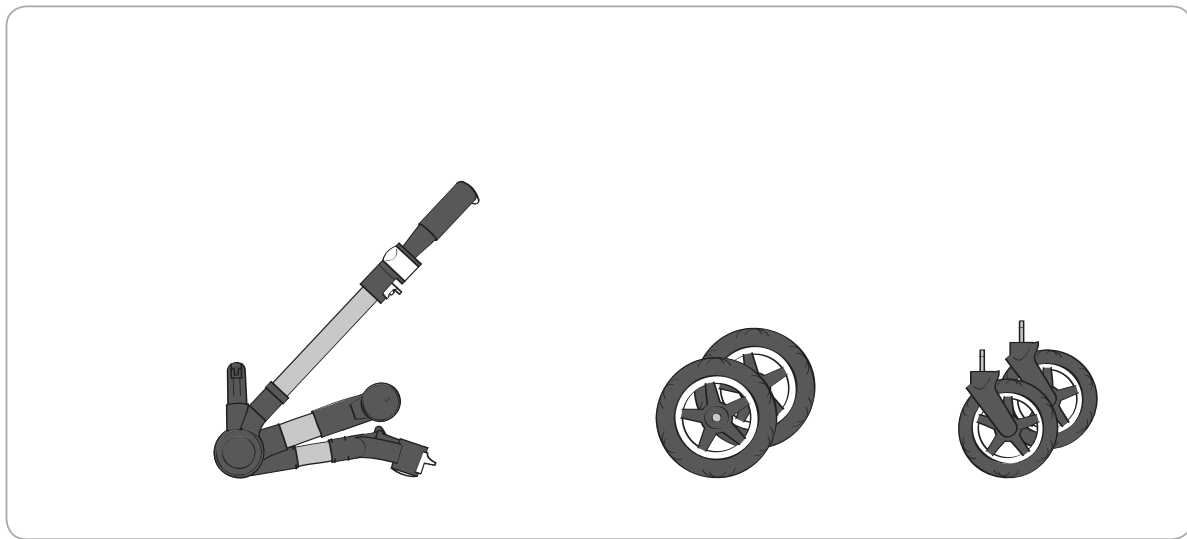
CS

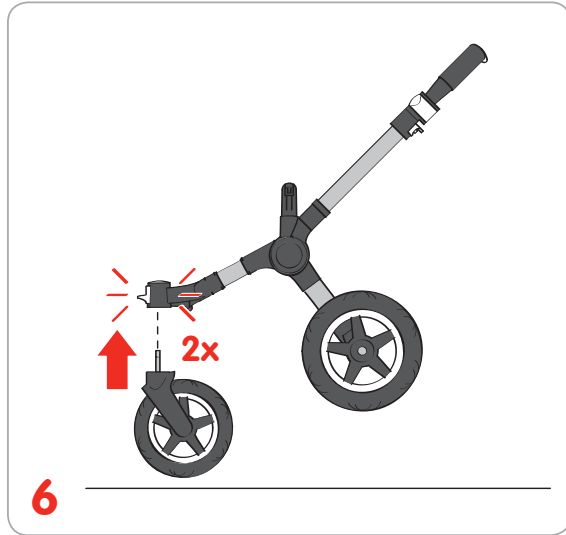
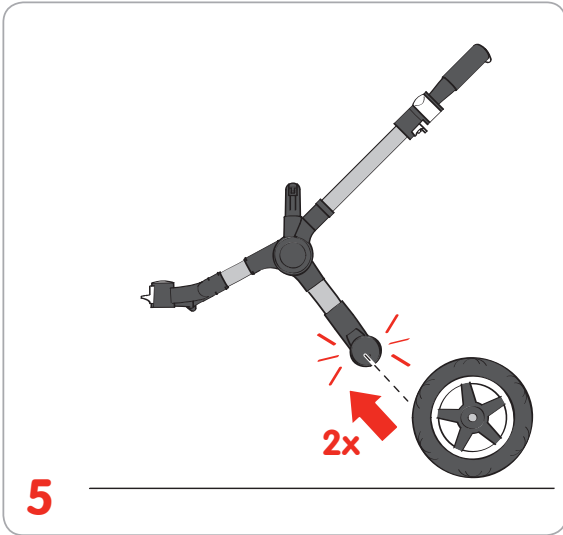
PL

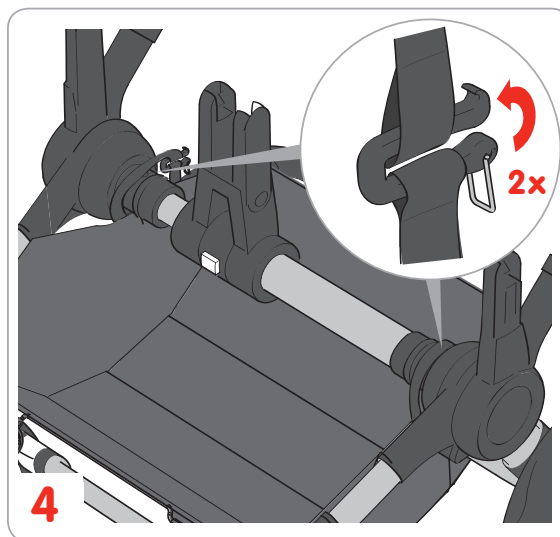
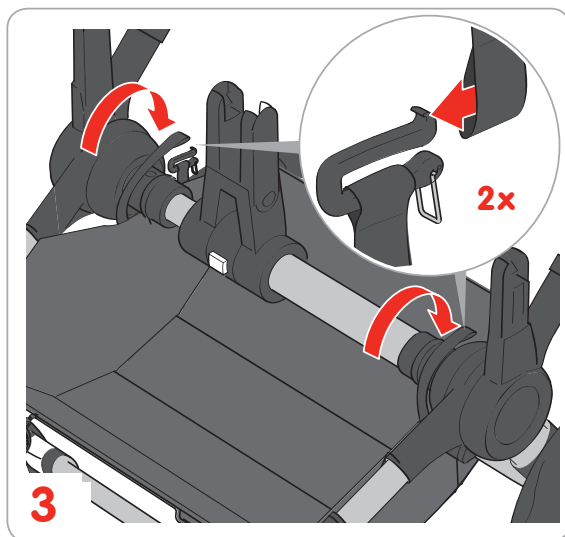
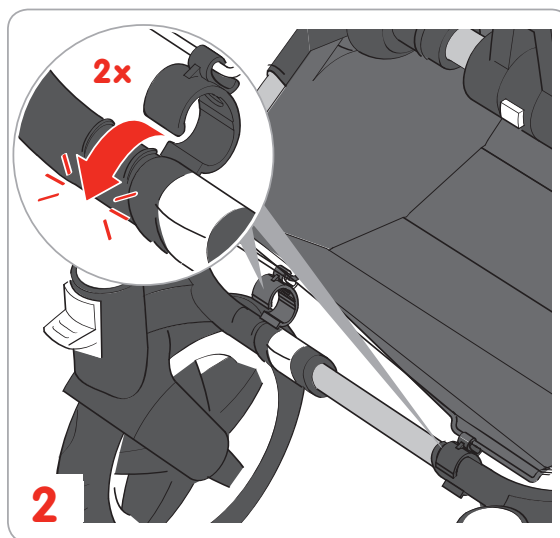
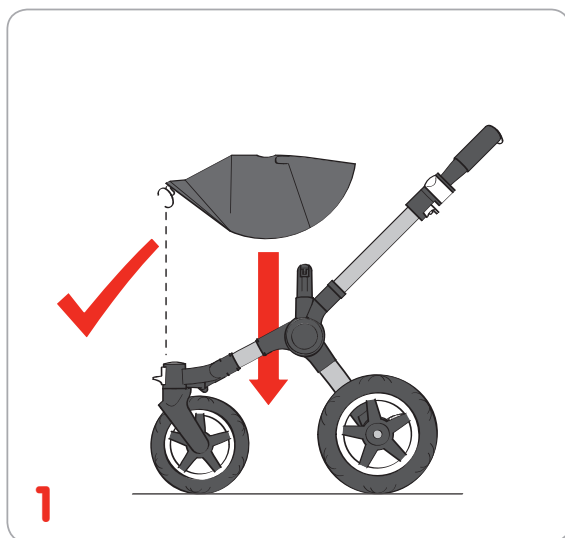
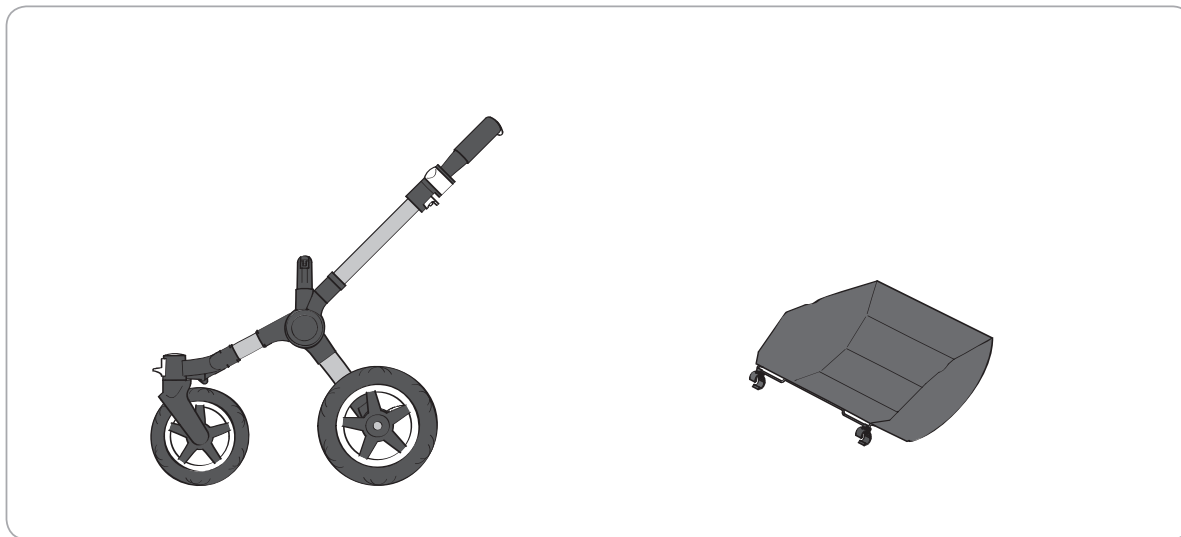
SL

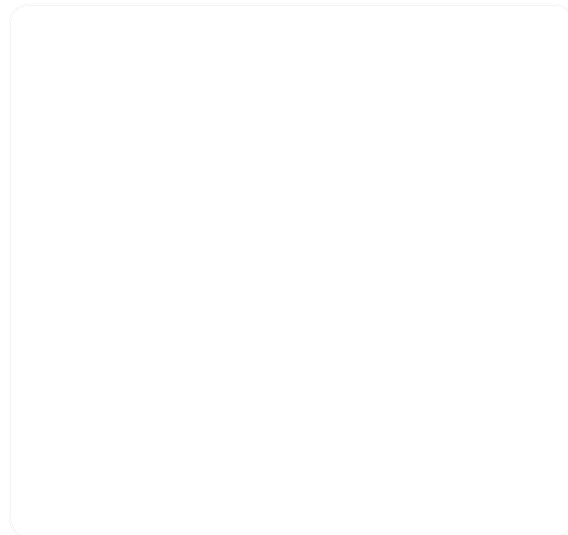
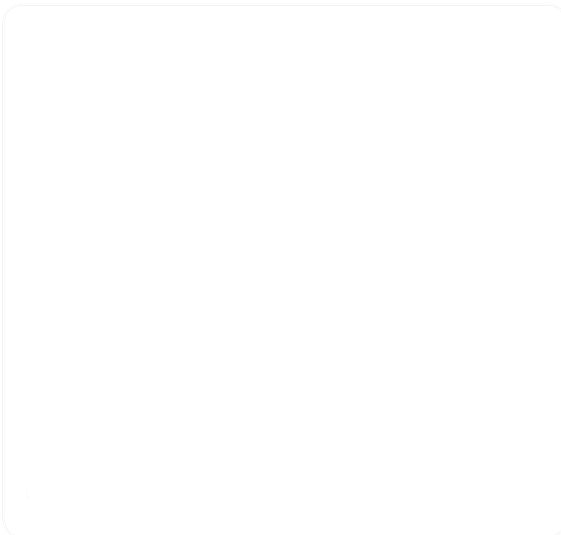
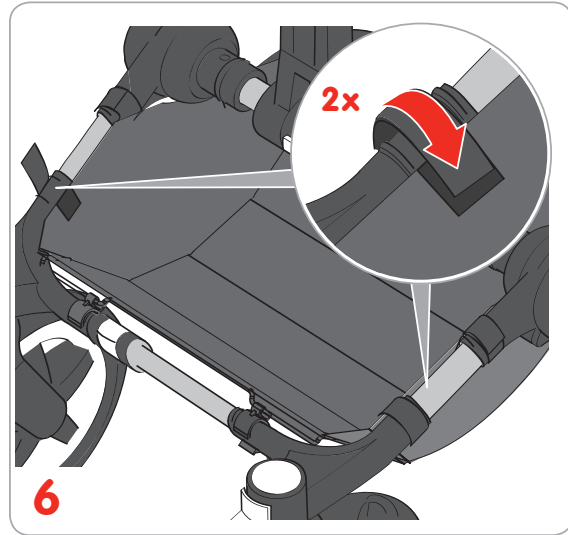
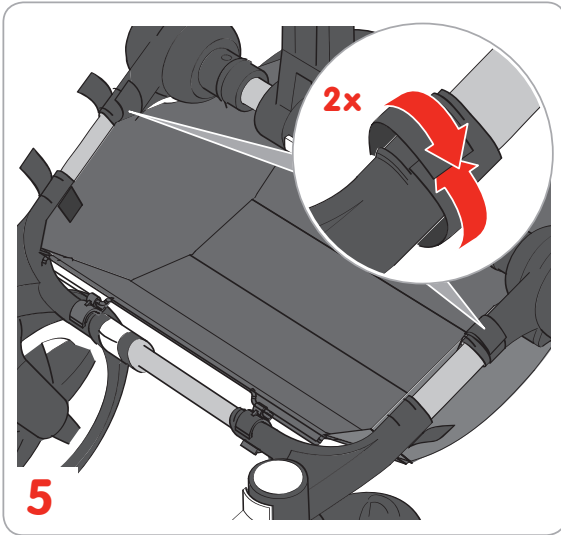
TR

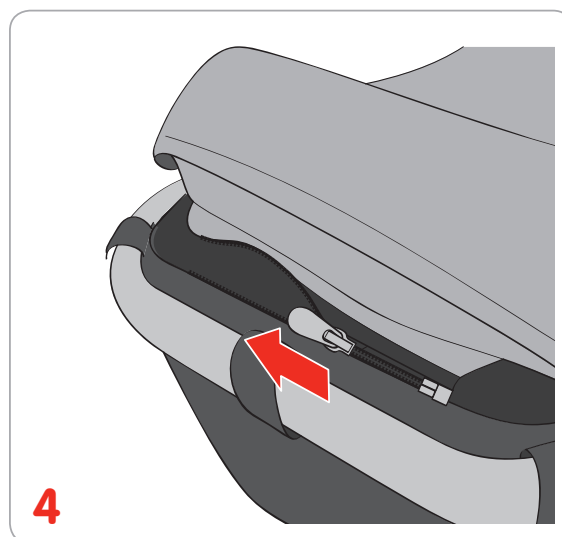
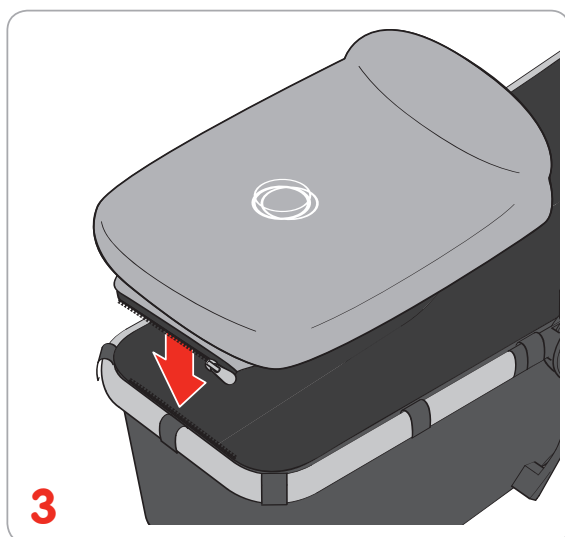
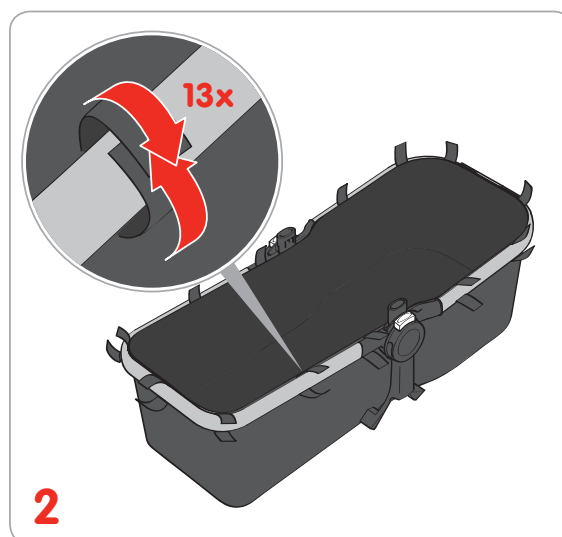
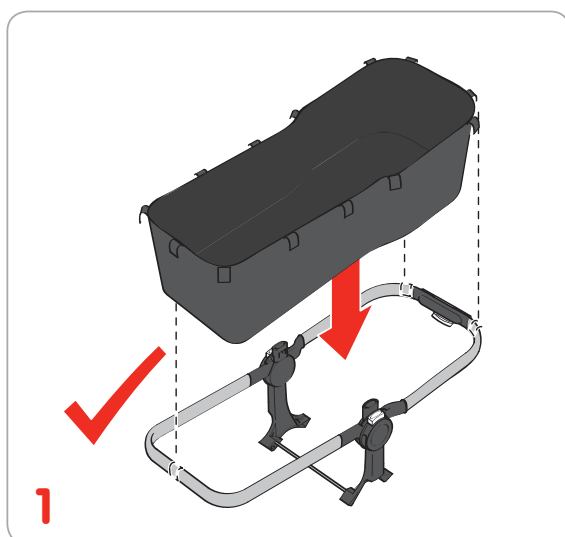
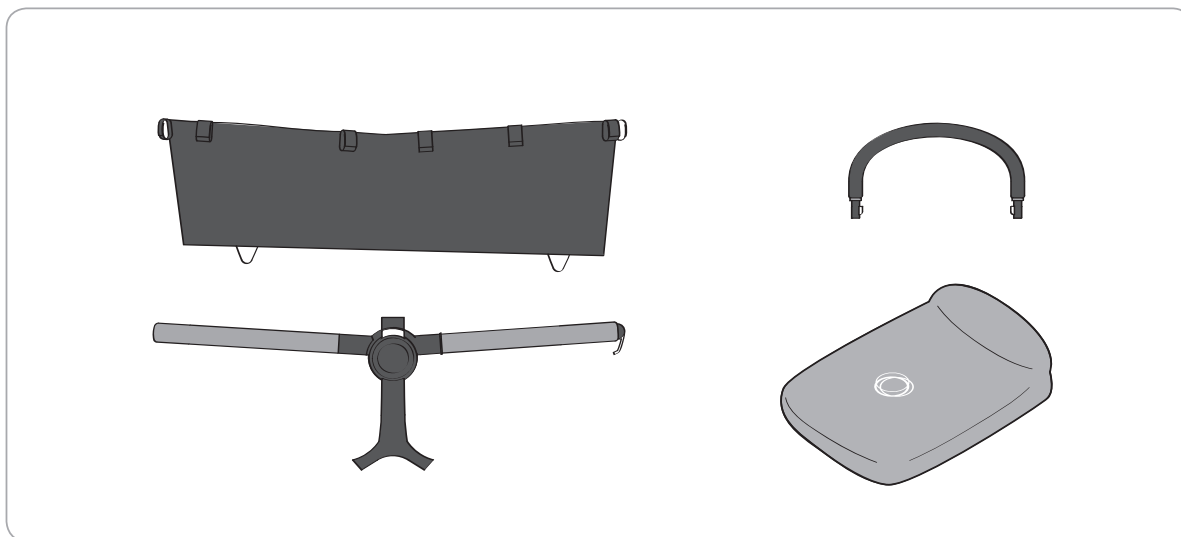
HE

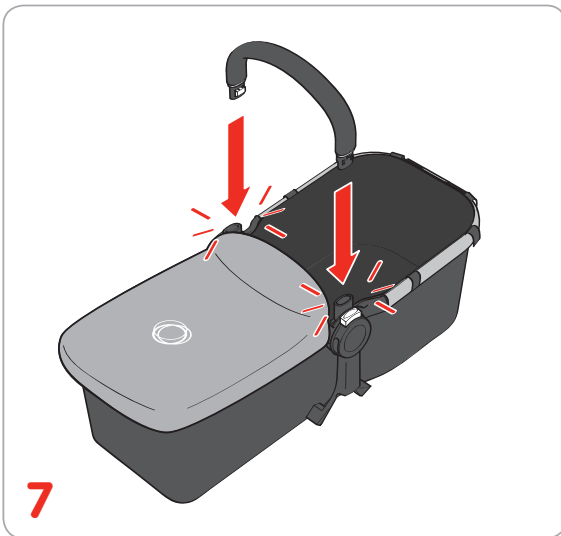
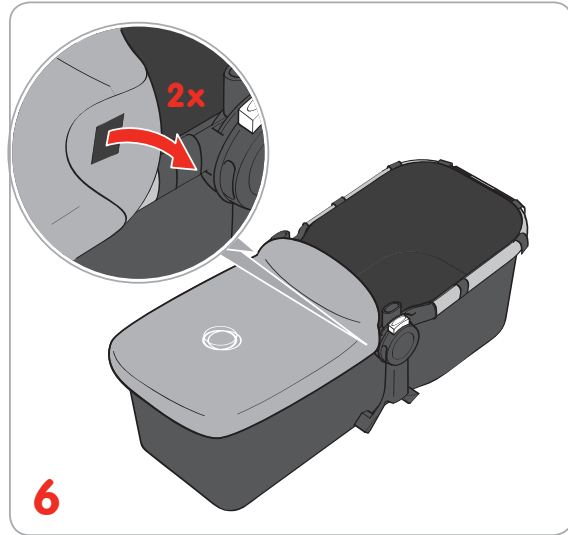


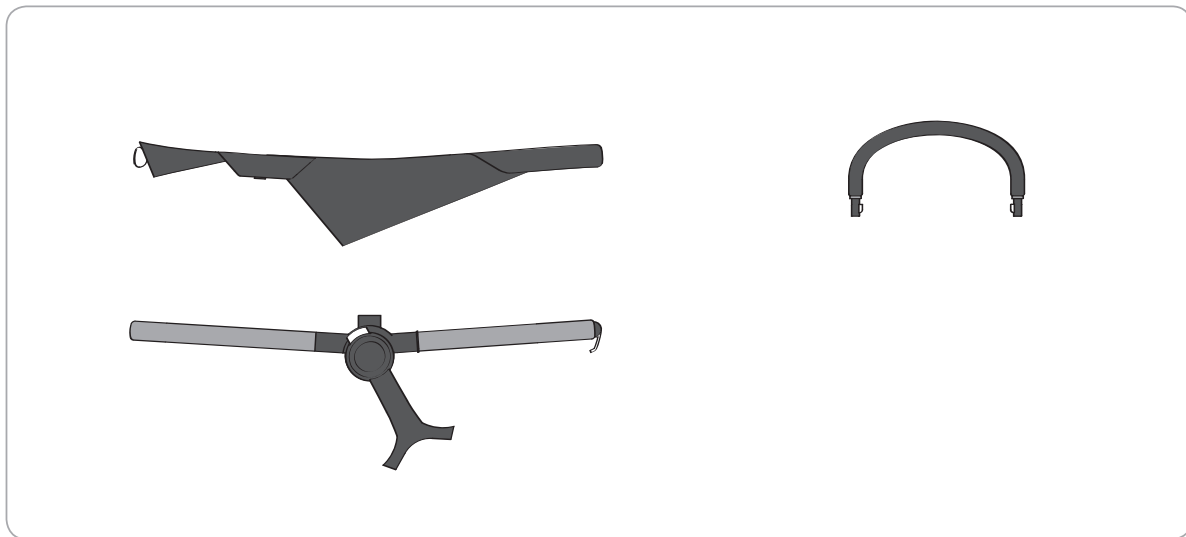
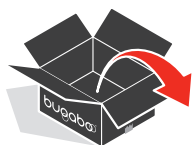








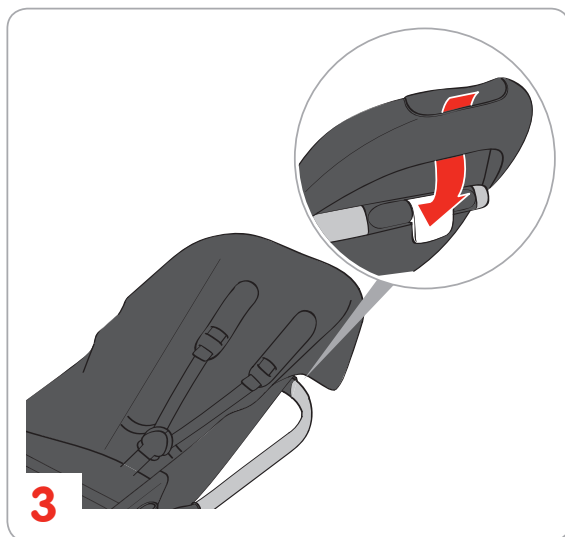




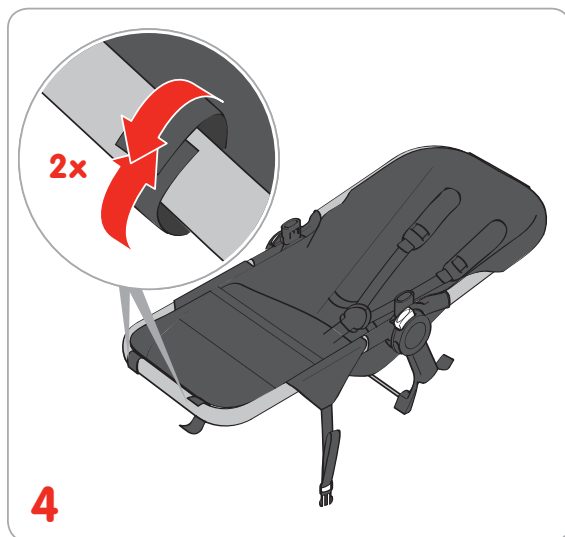
1



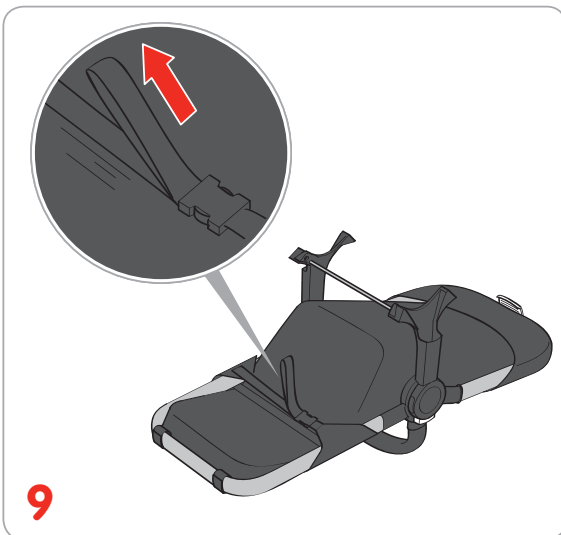
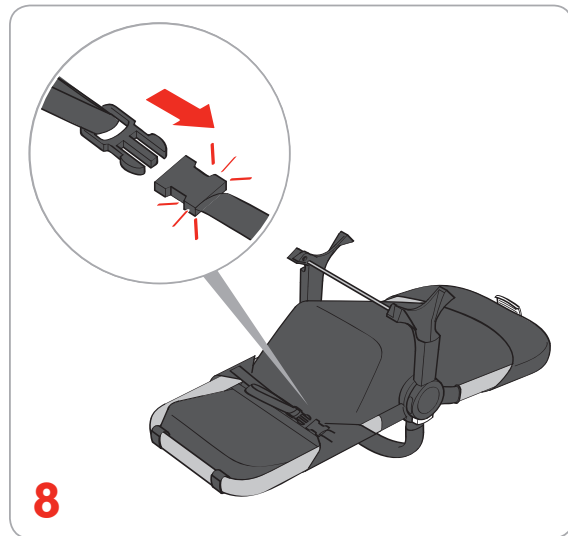
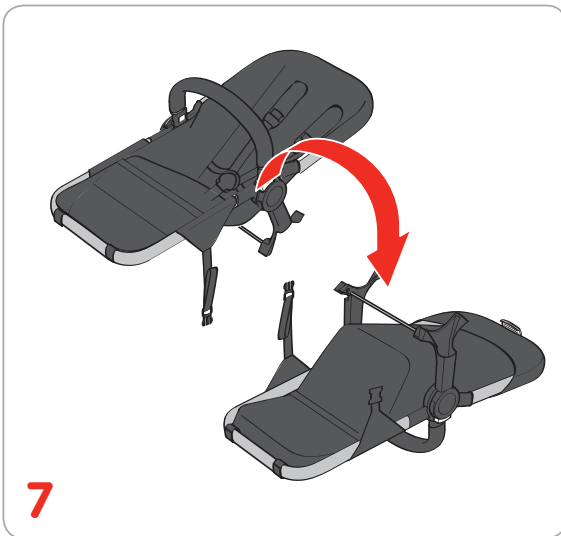
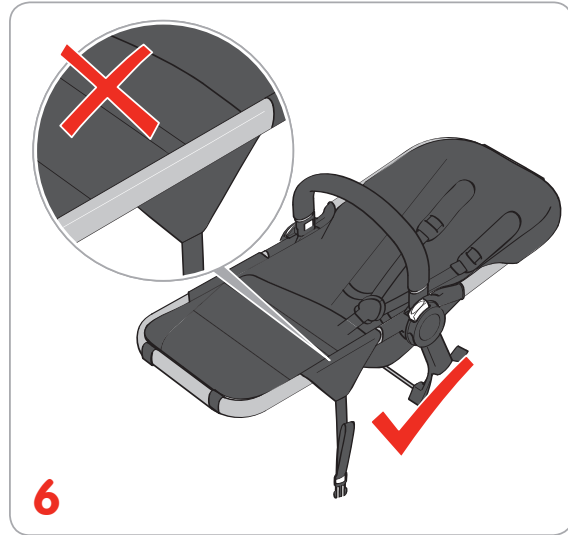
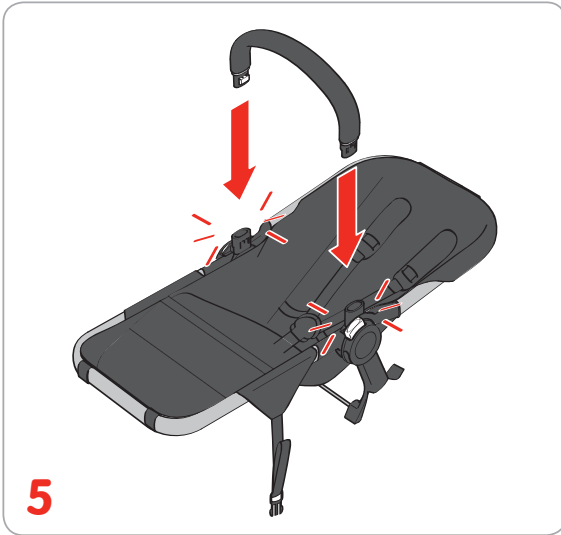
2

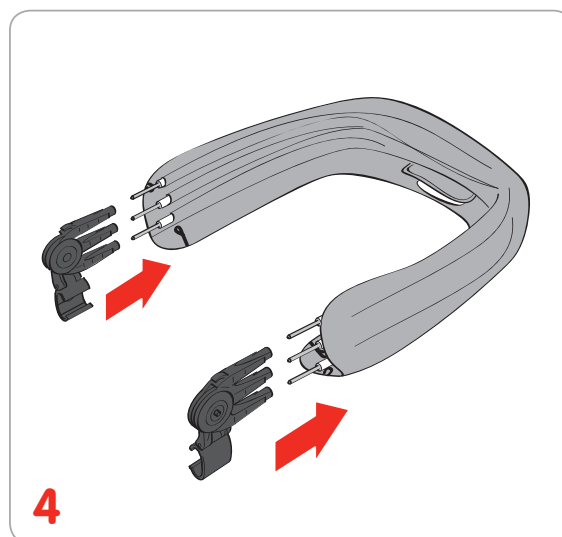
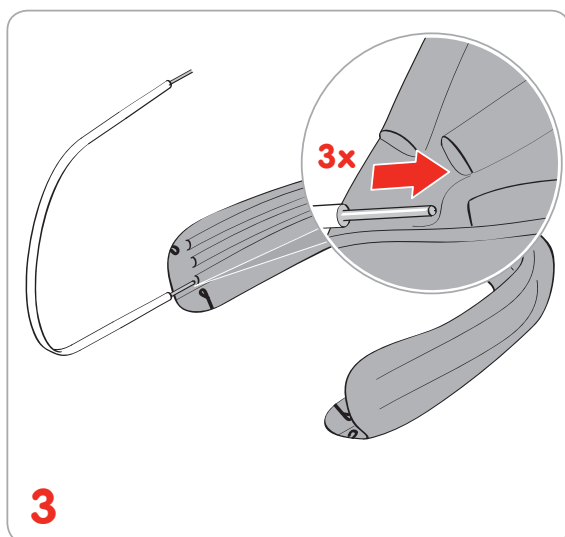
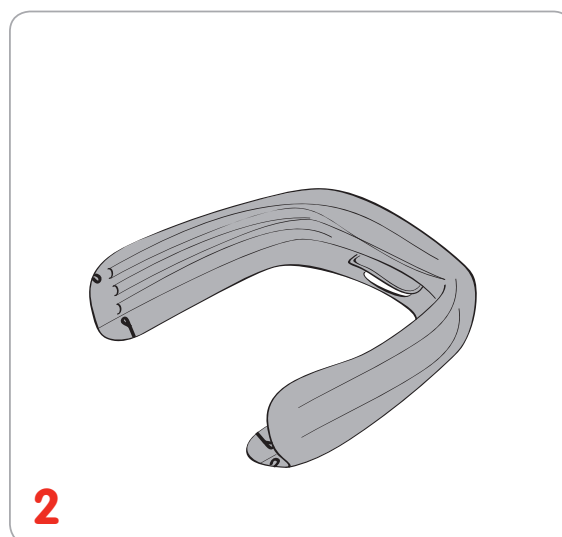
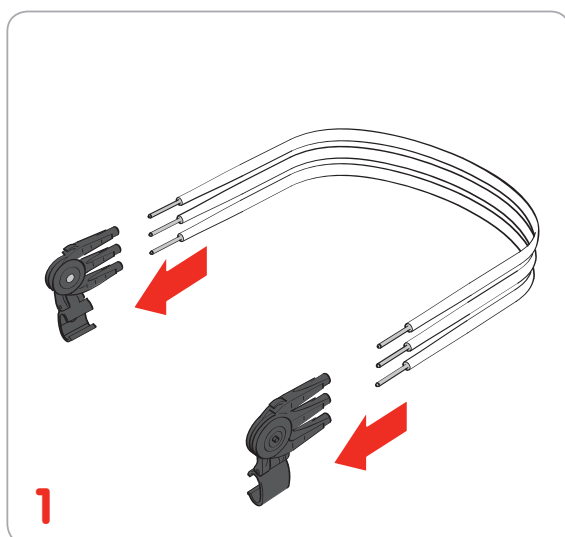
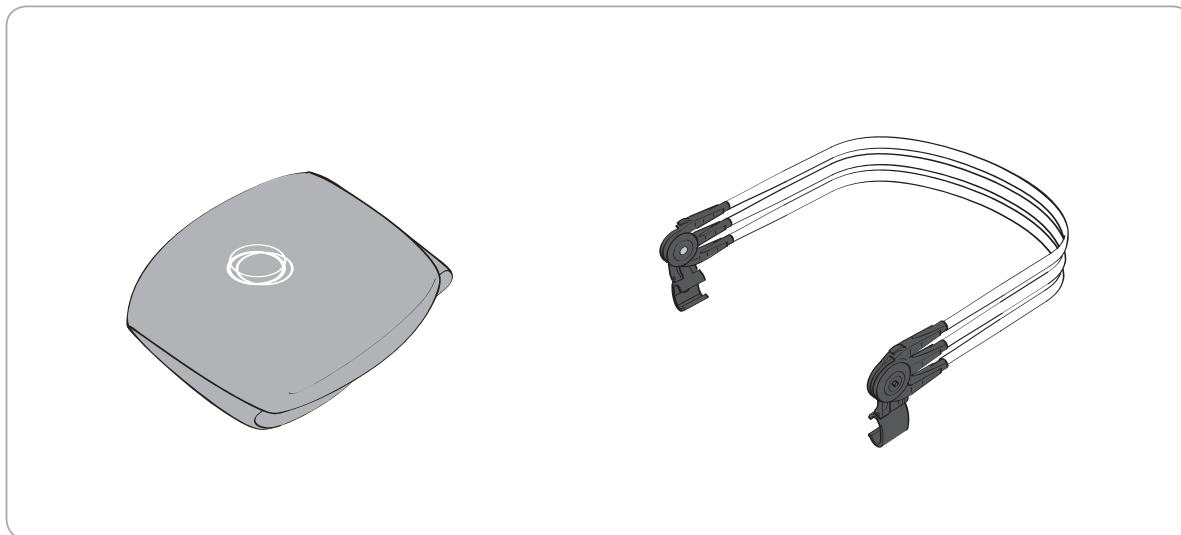


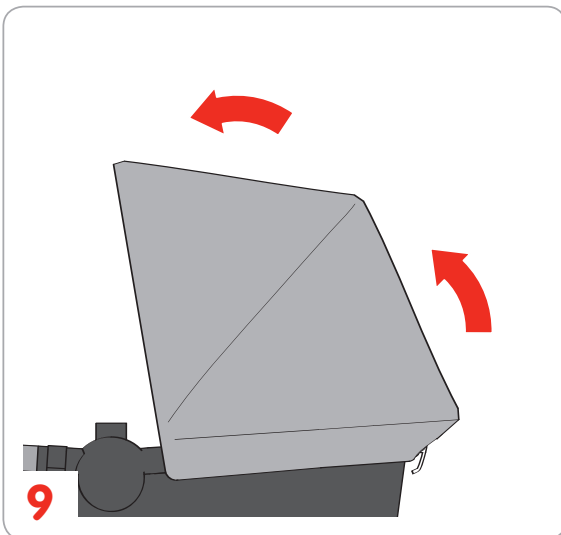
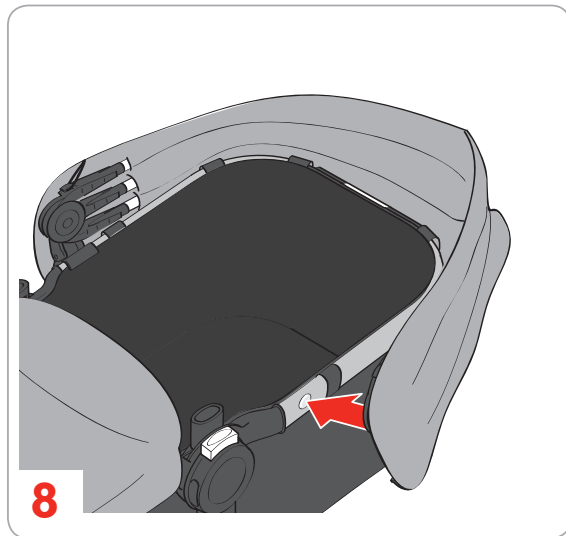
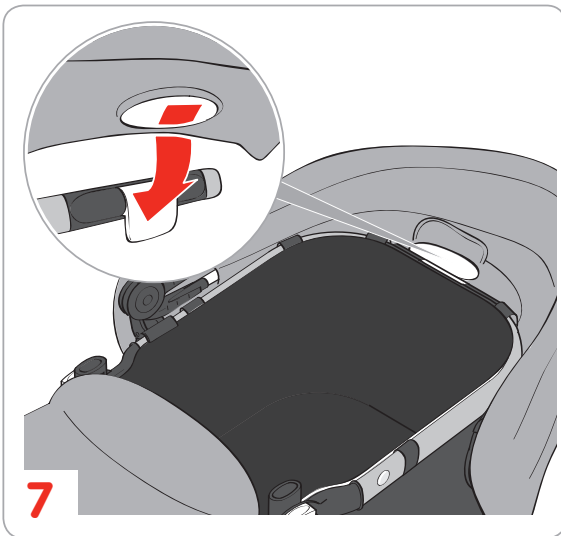
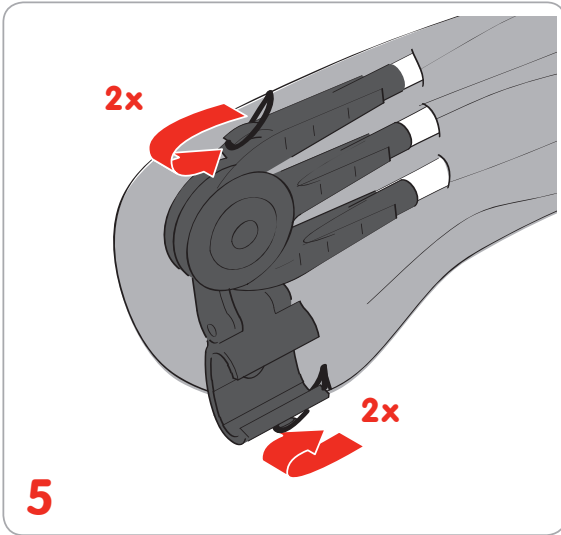
3

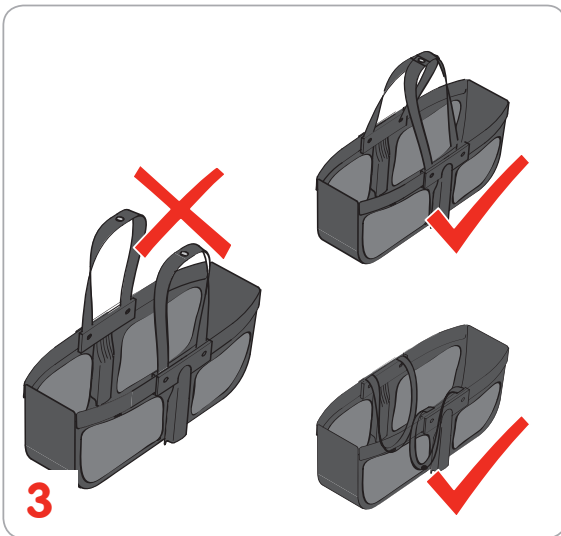
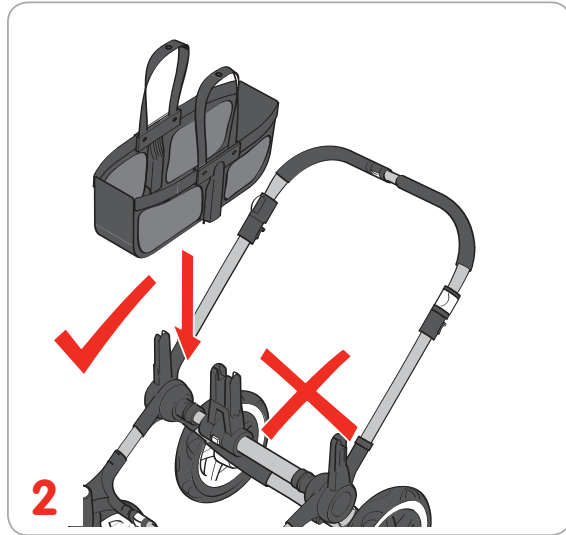
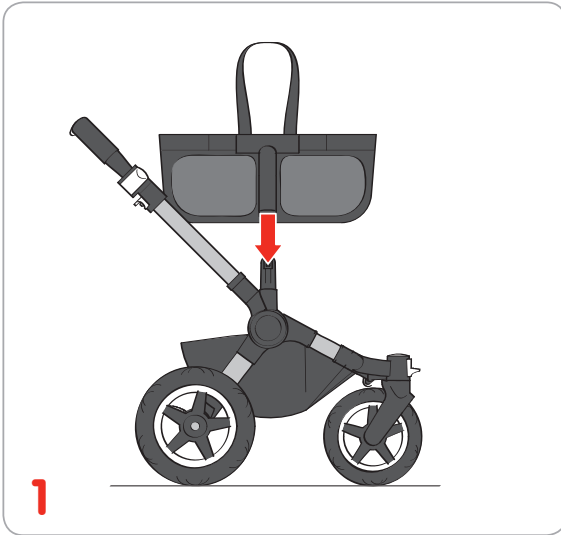


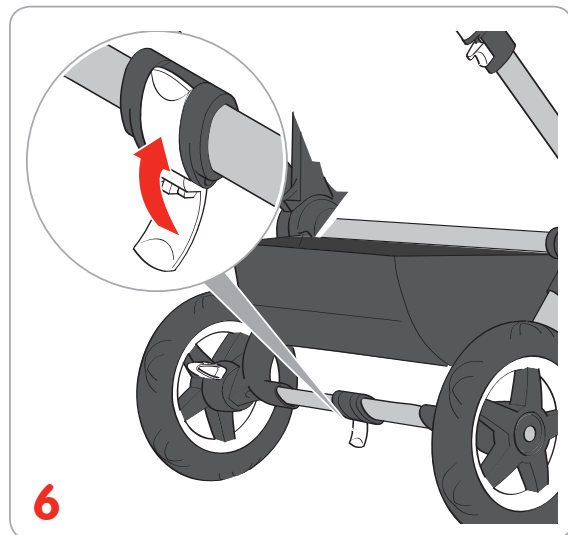
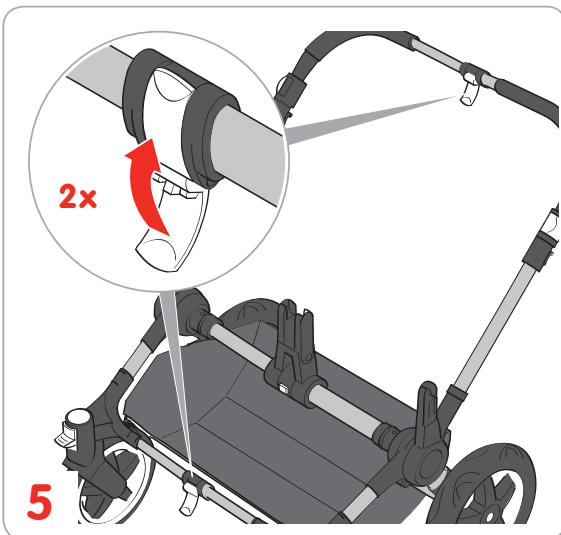
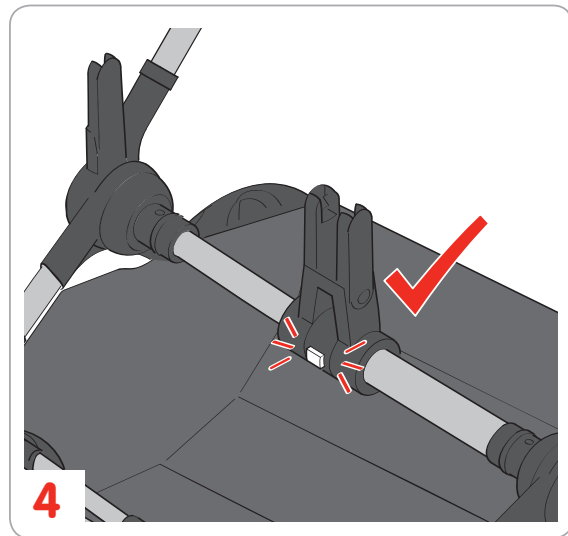
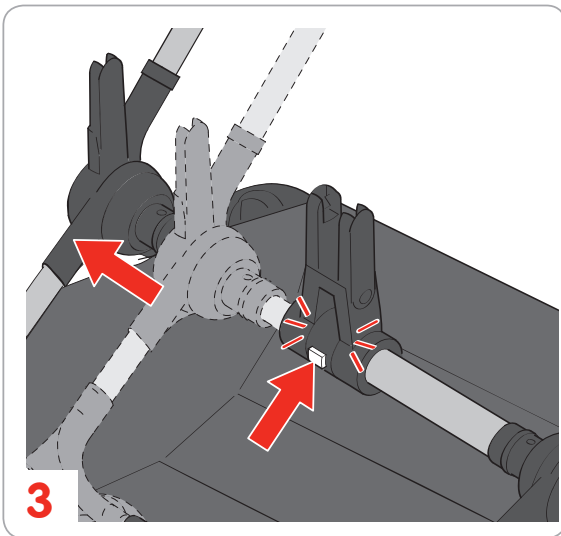
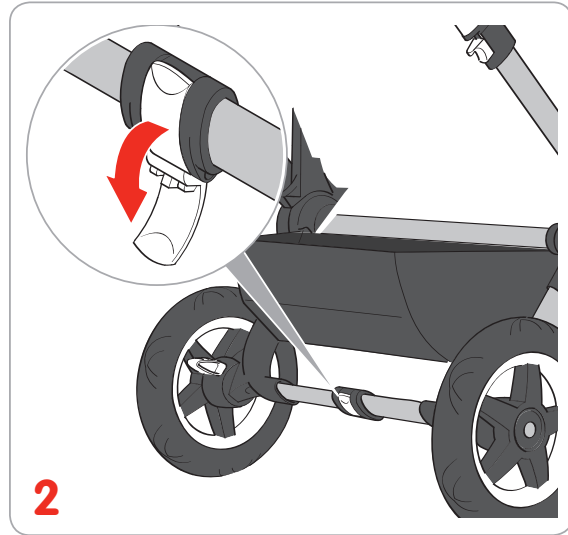
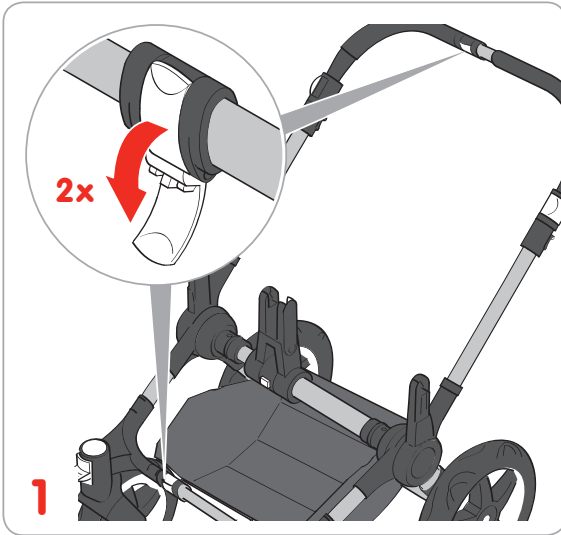
4

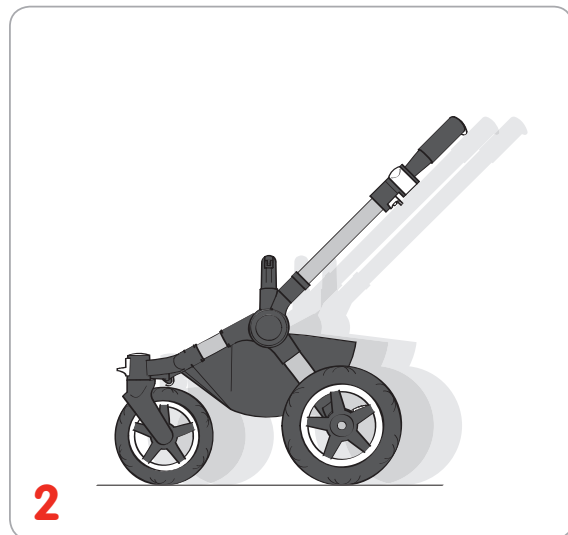
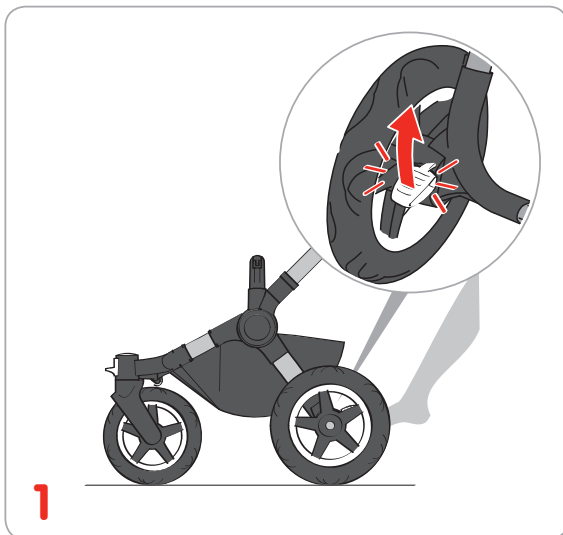
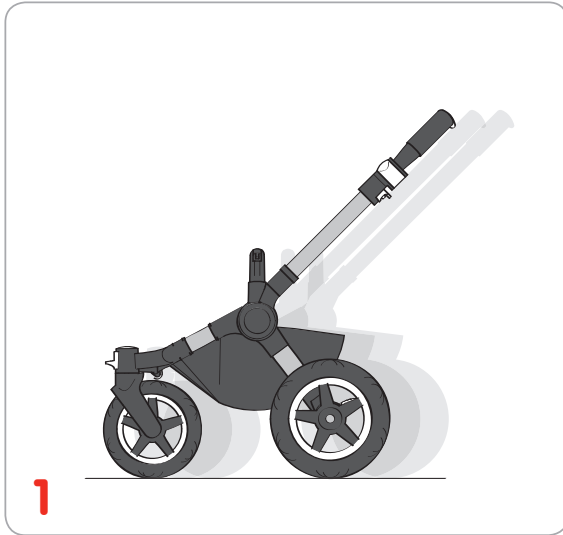


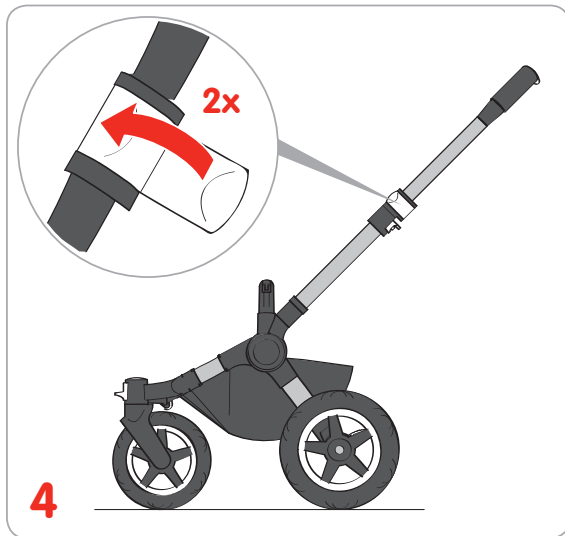
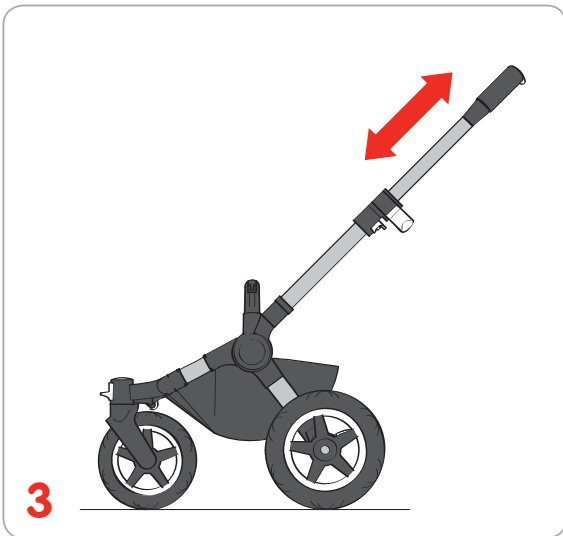
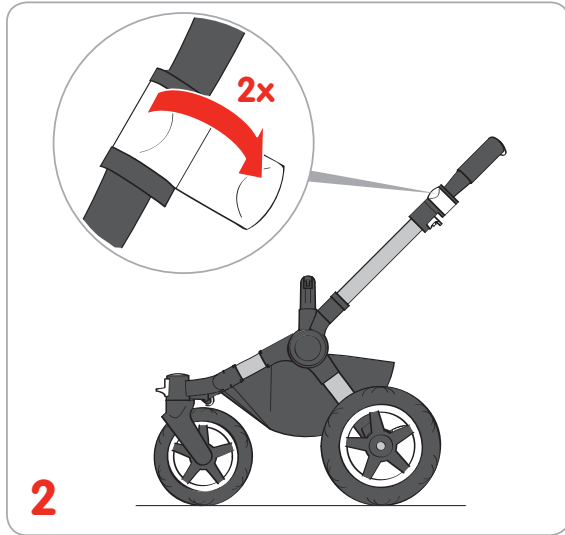
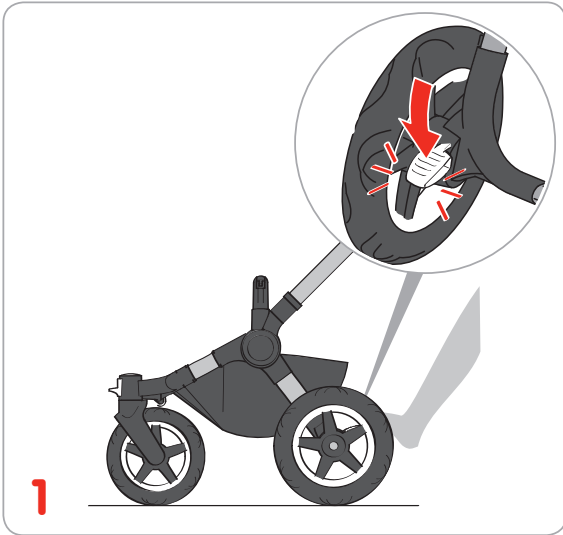


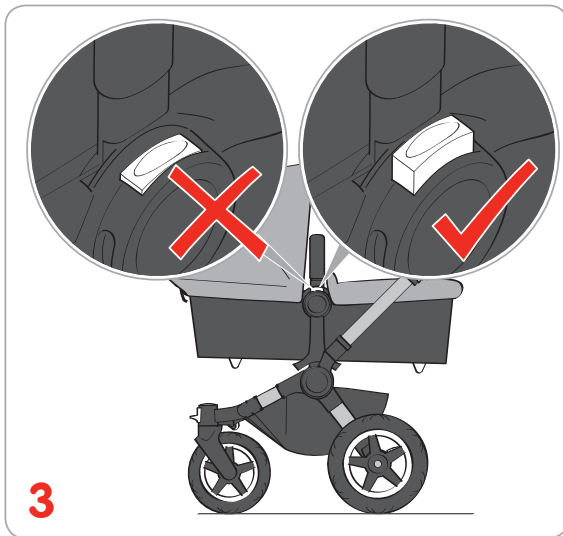
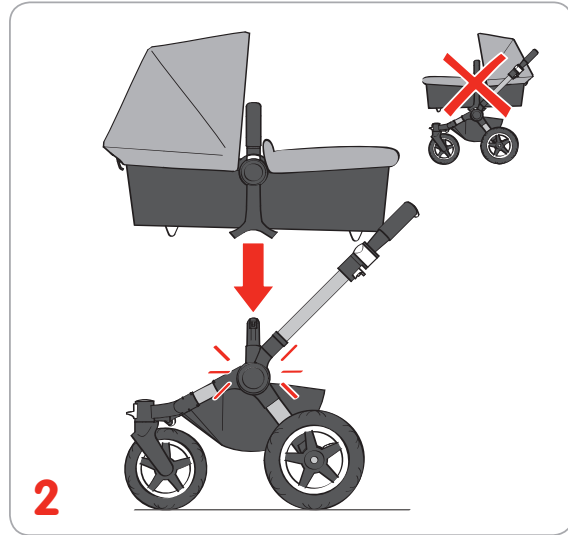
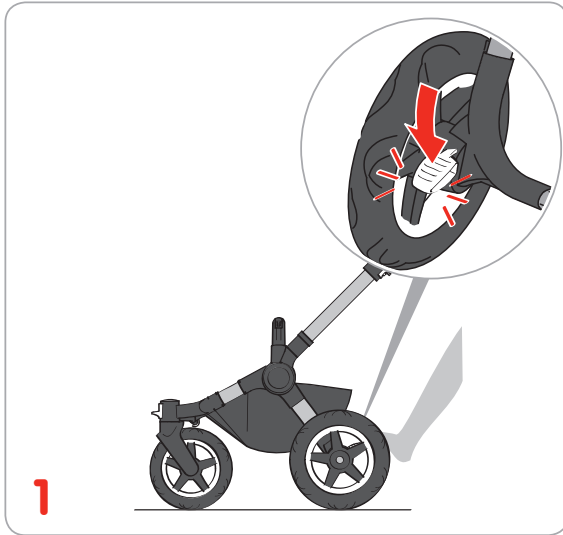


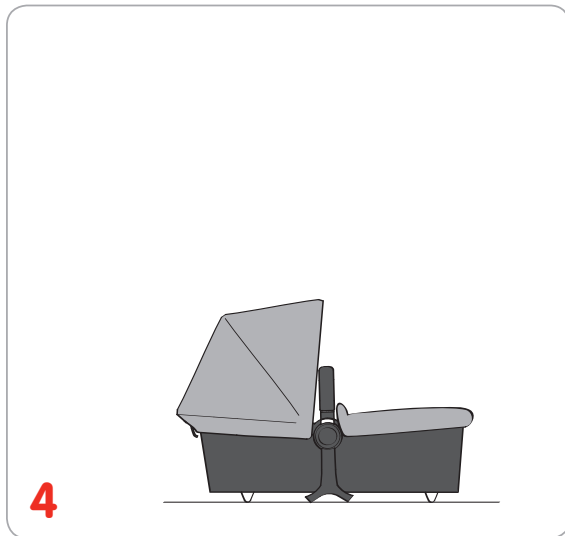
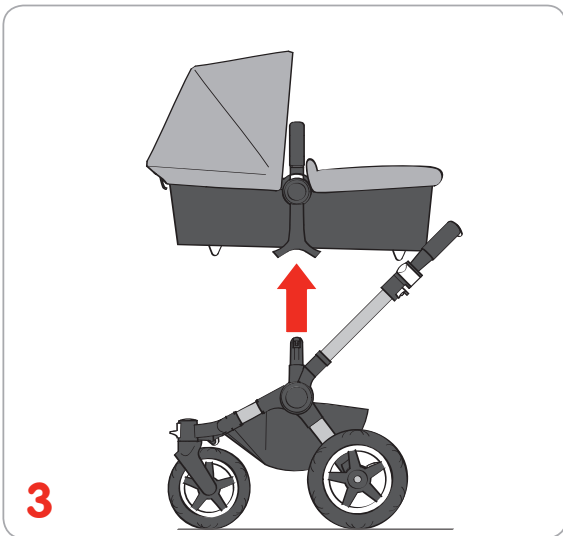
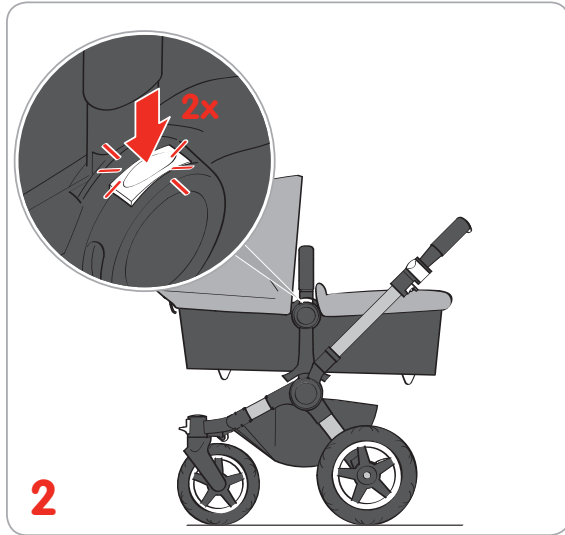
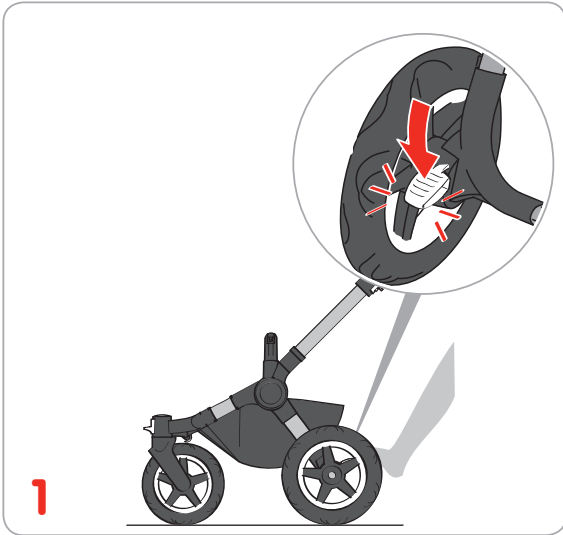


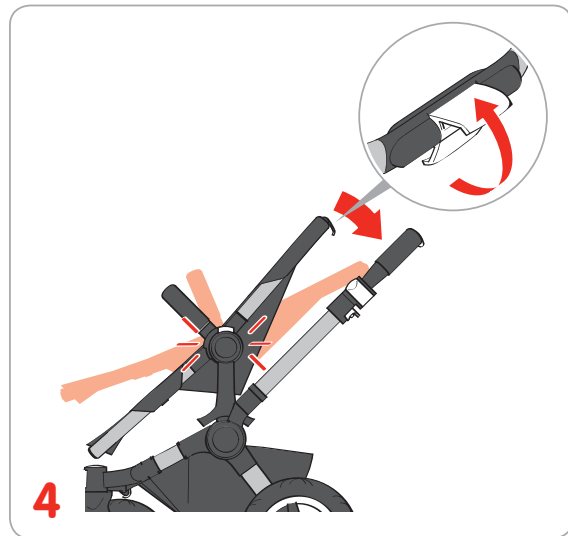
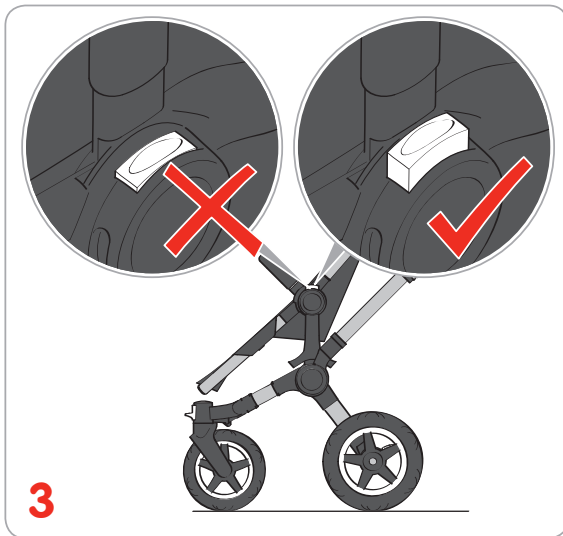
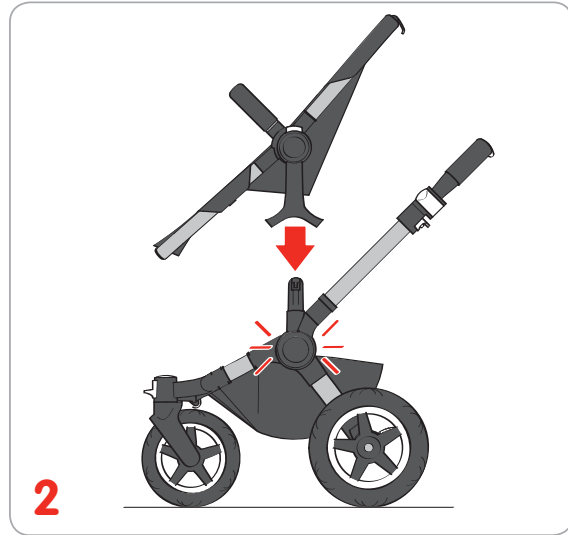
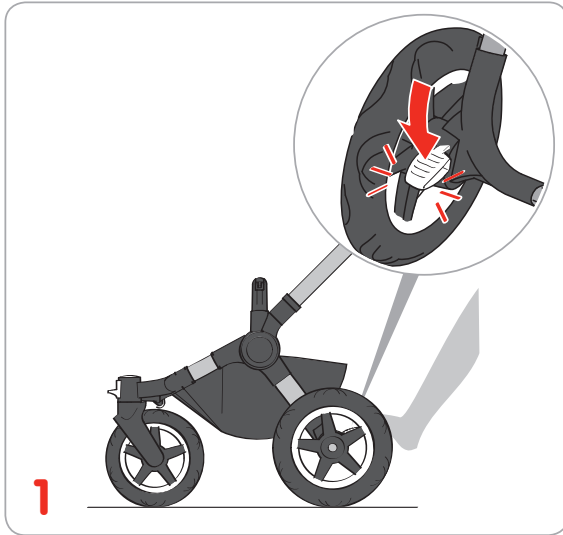


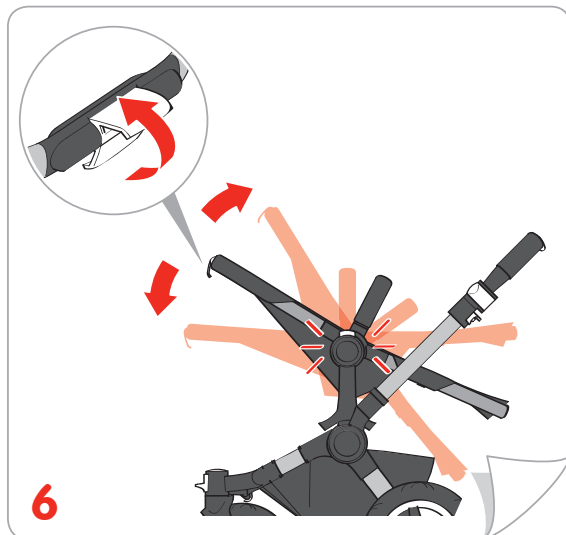
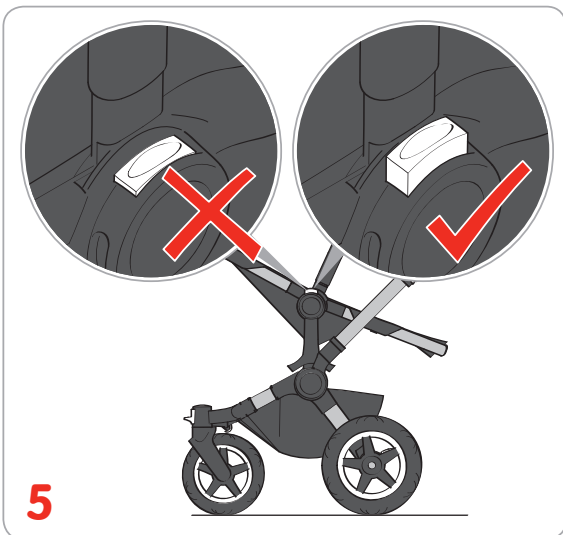
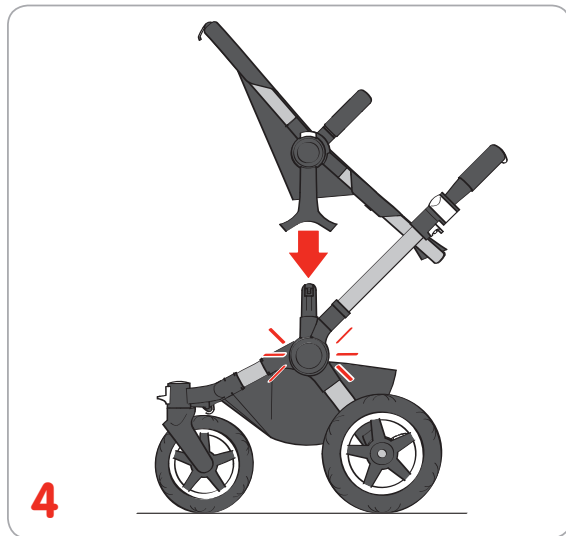
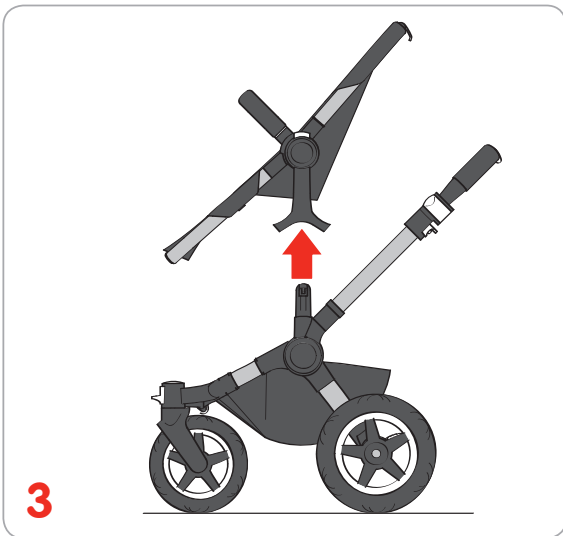
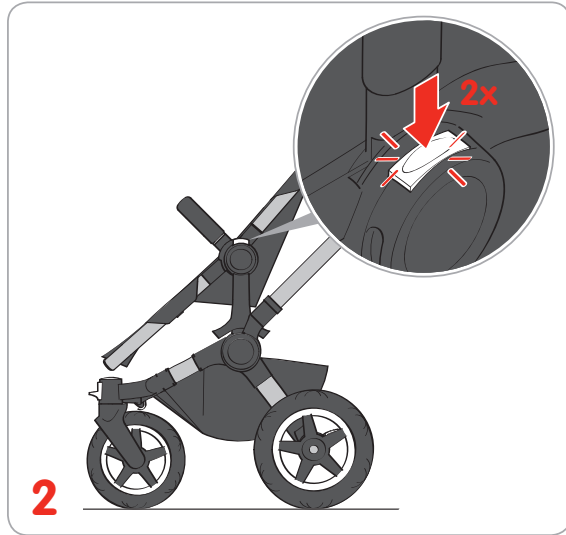
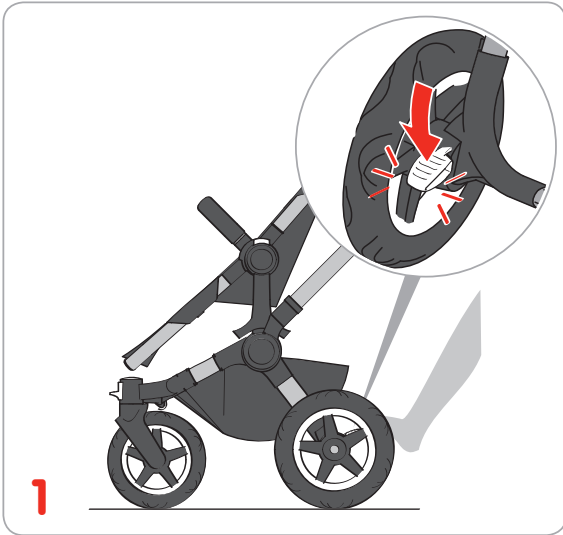


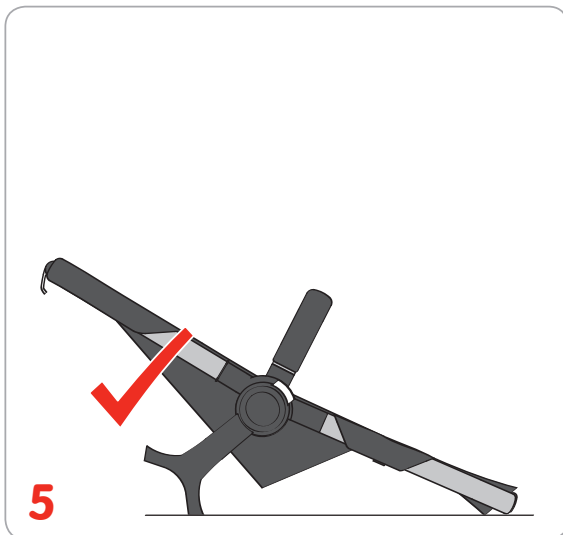
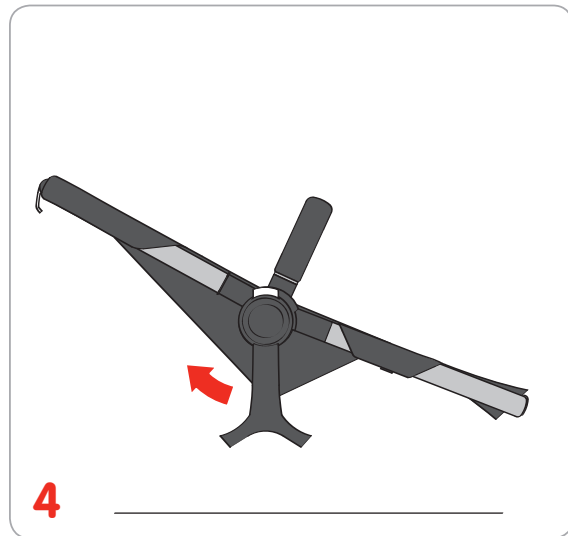
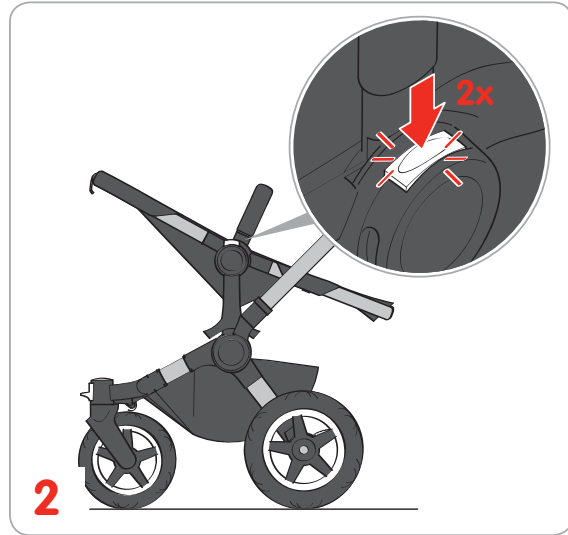


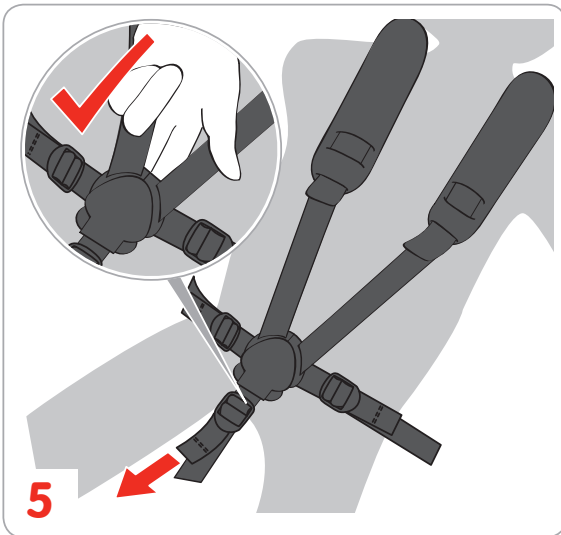
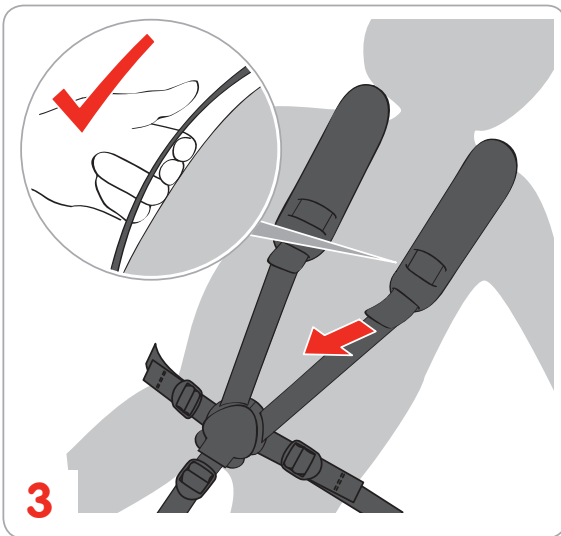
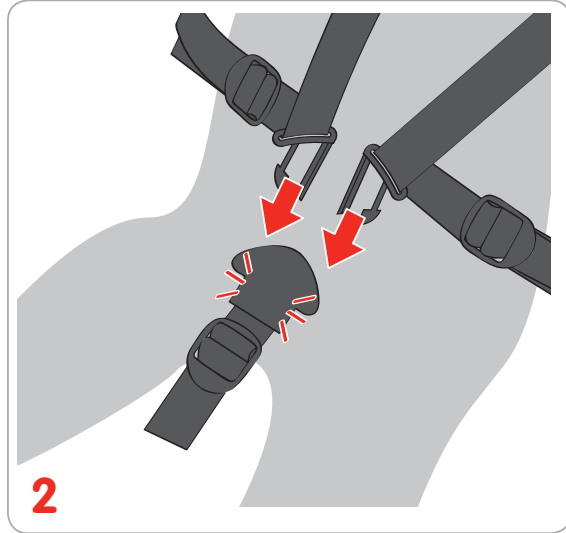
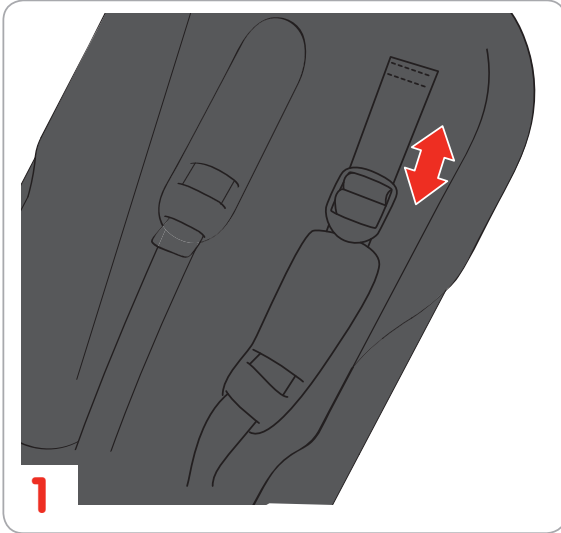


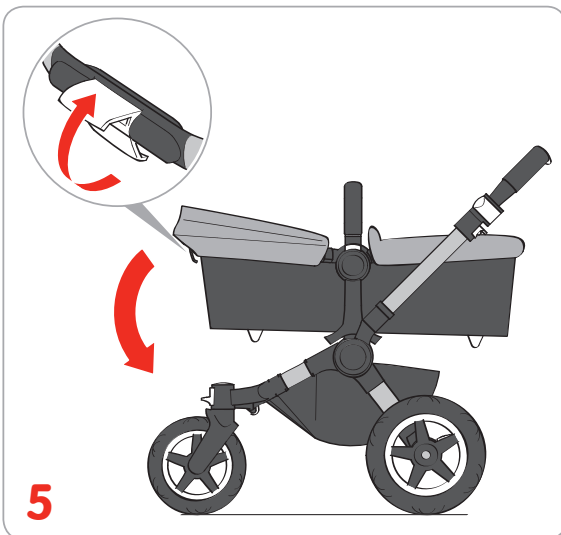
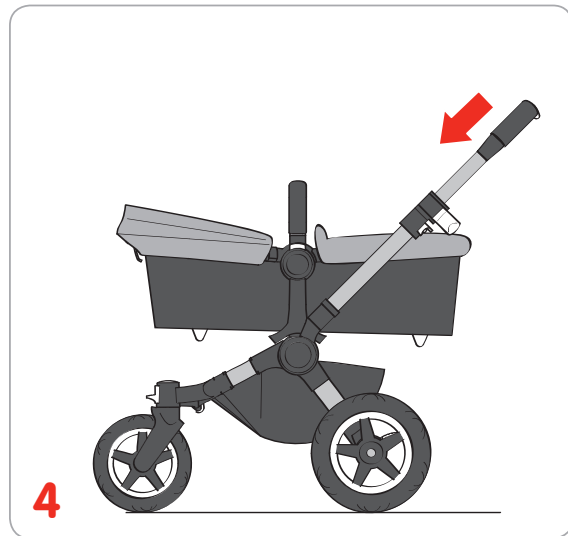
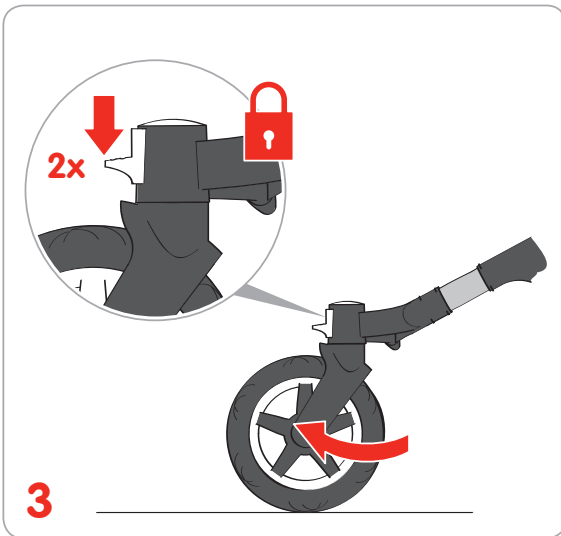
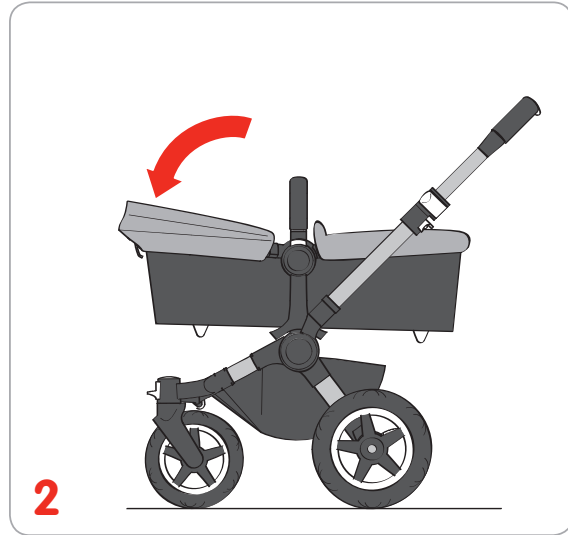


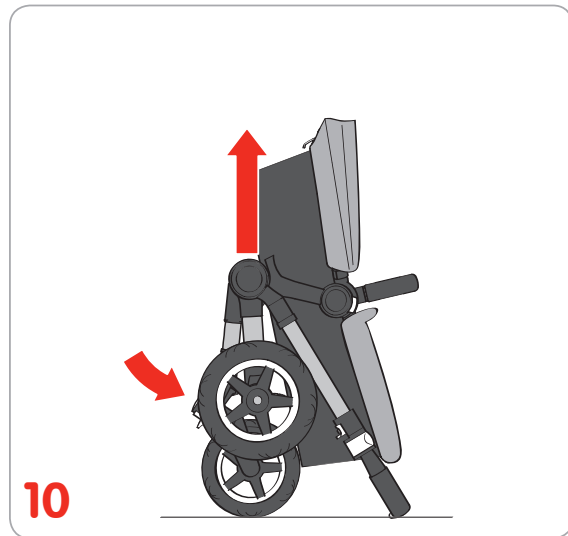
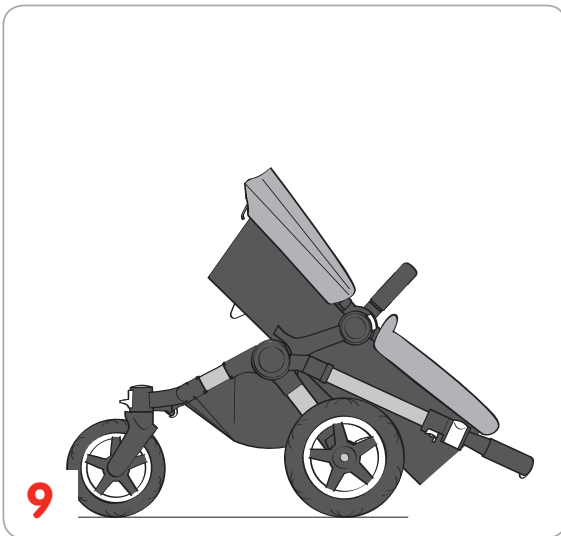
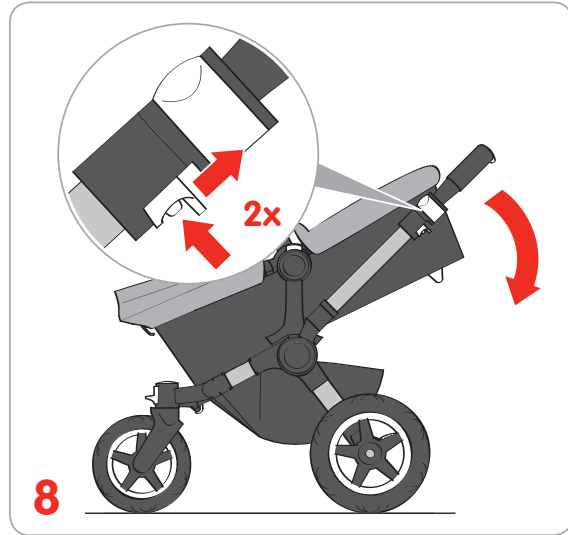
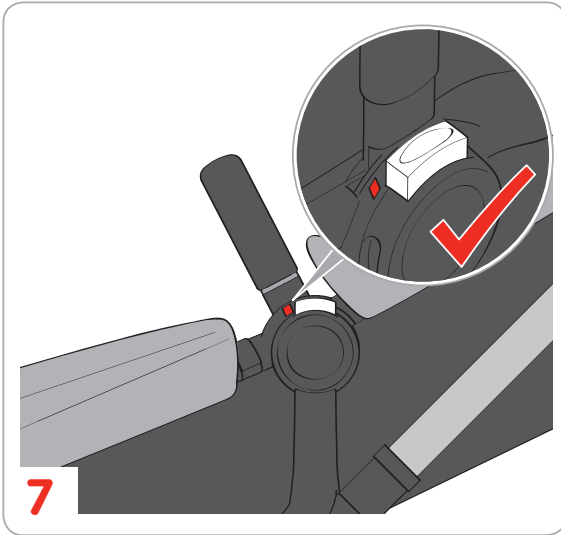


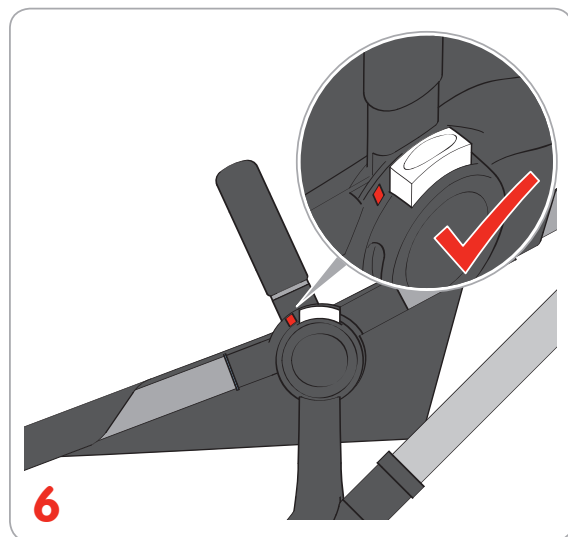
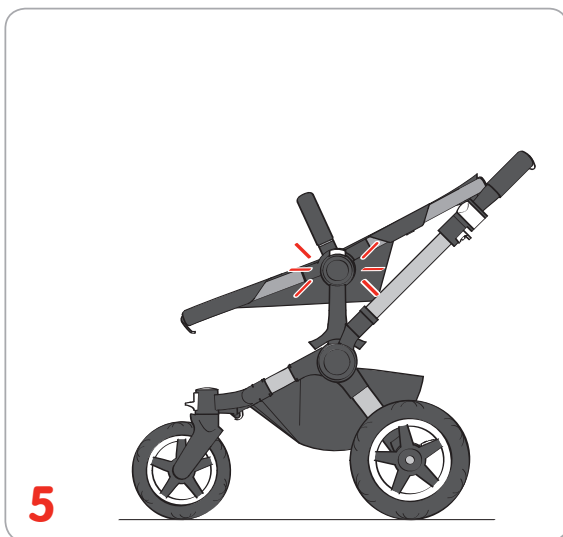
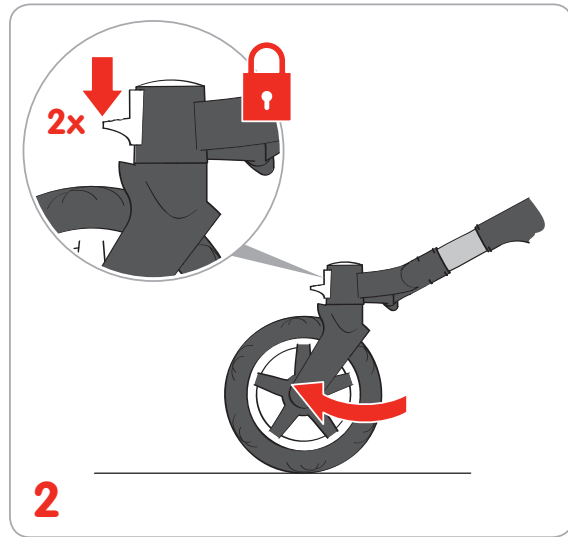


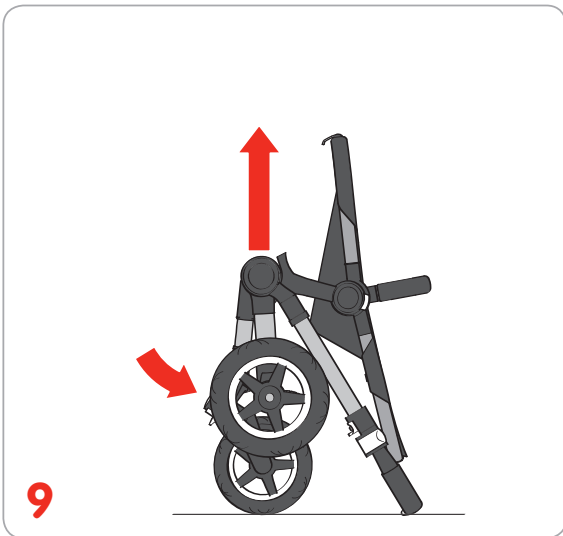
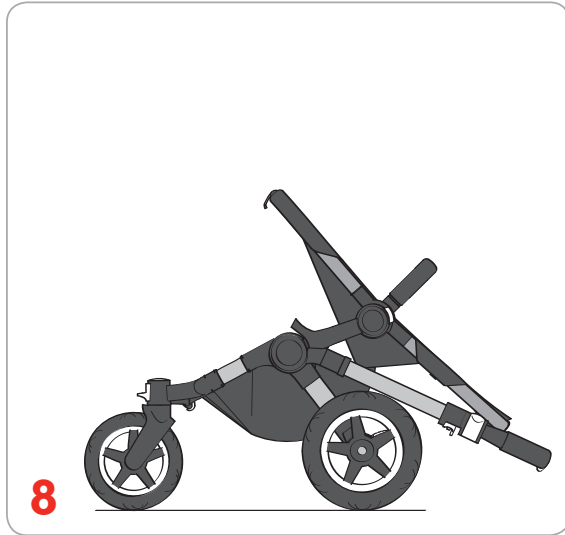
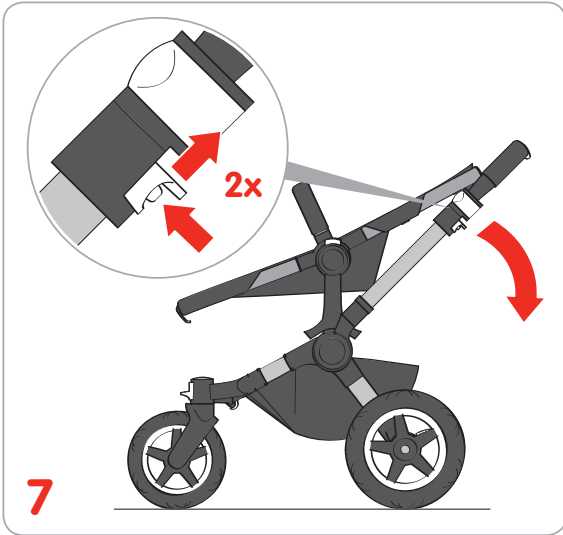


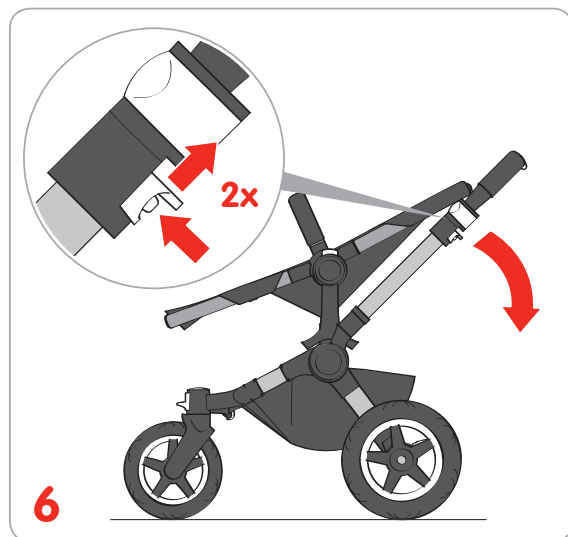
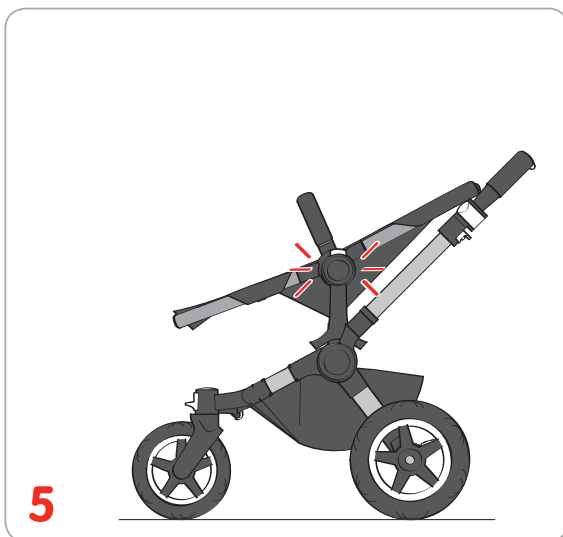
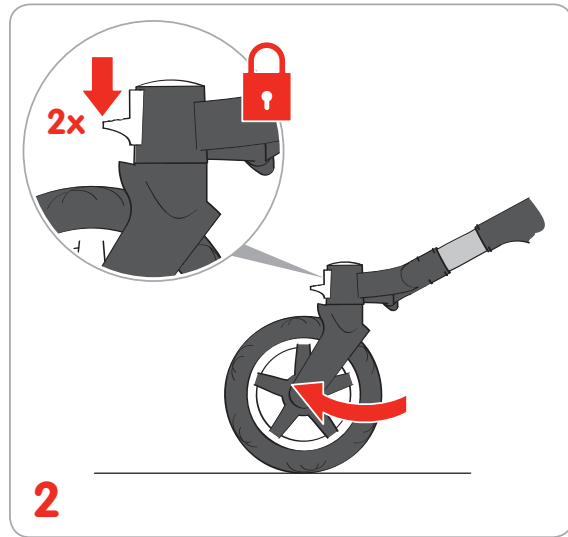
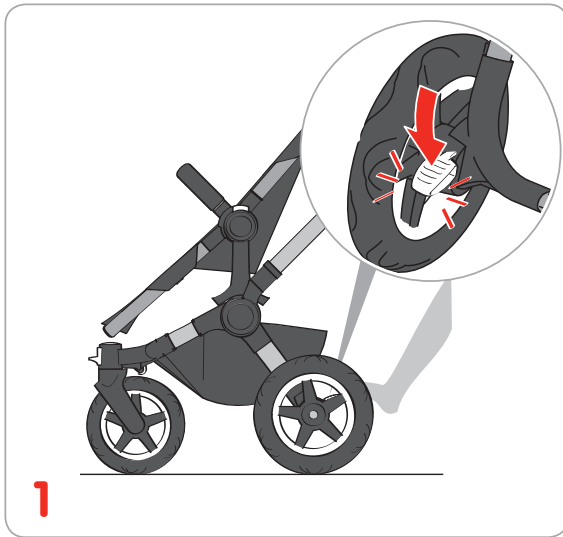


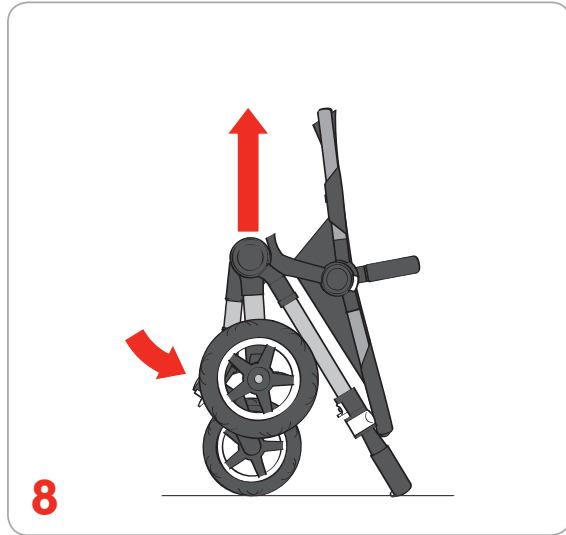


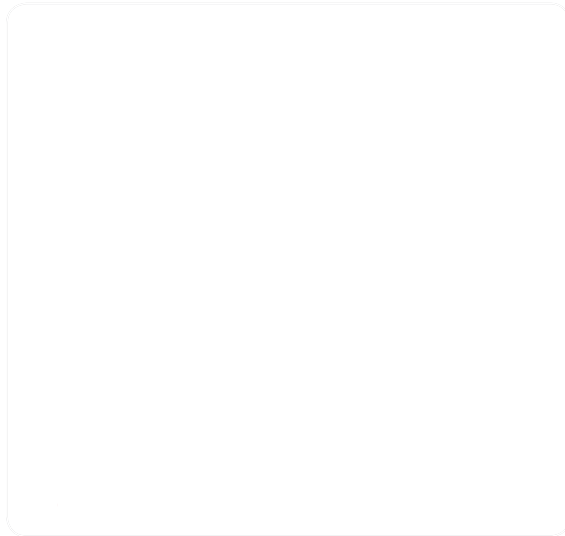
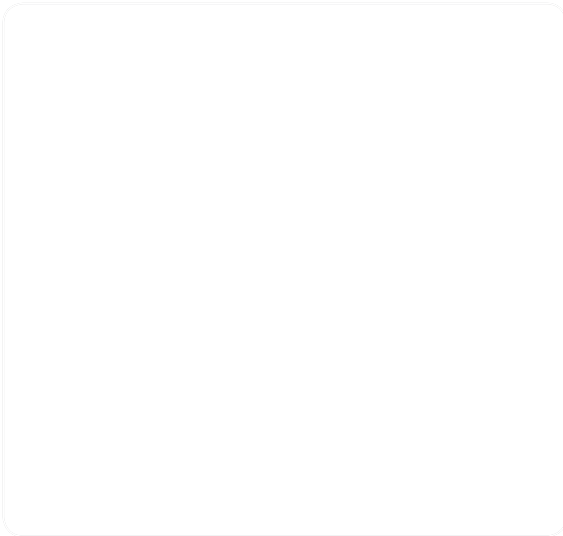
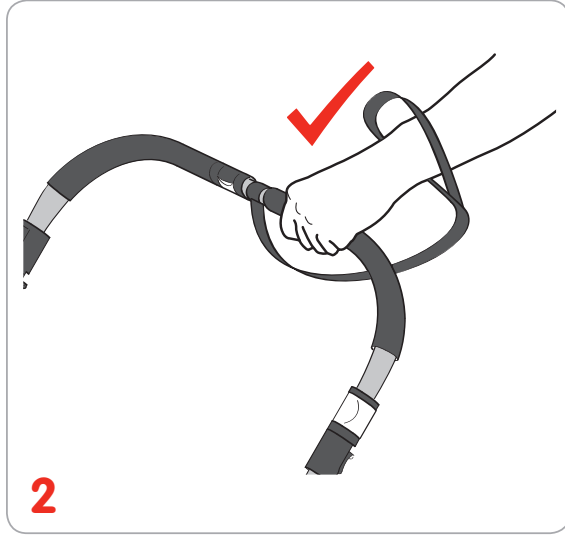
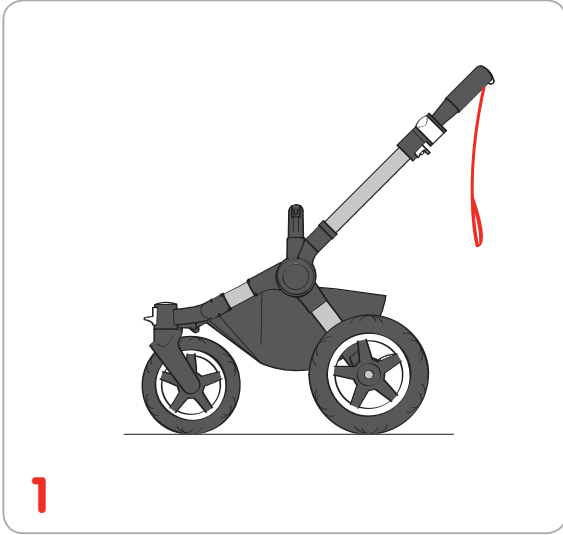


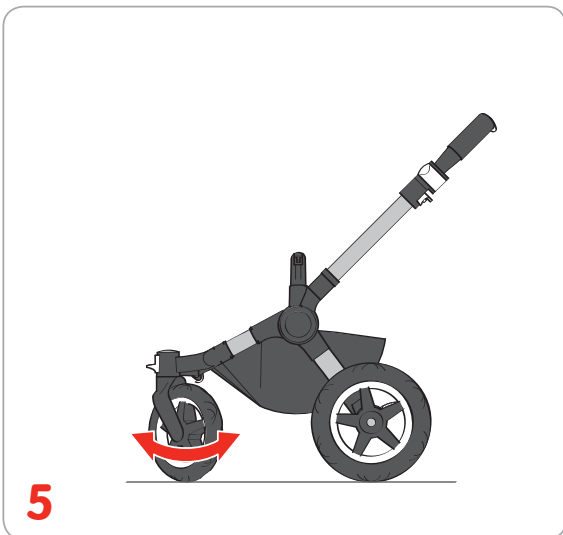
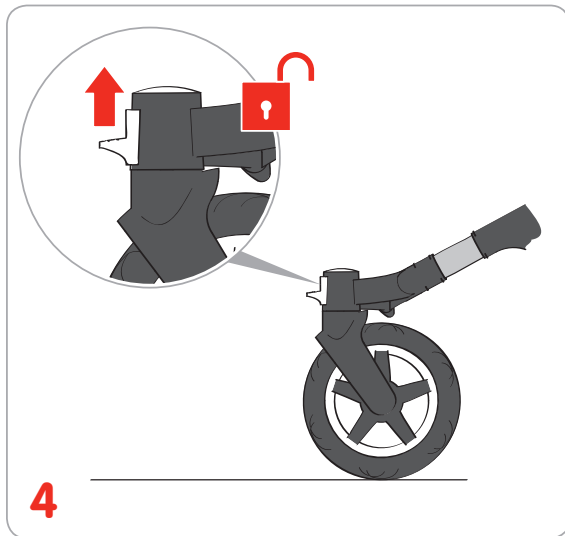
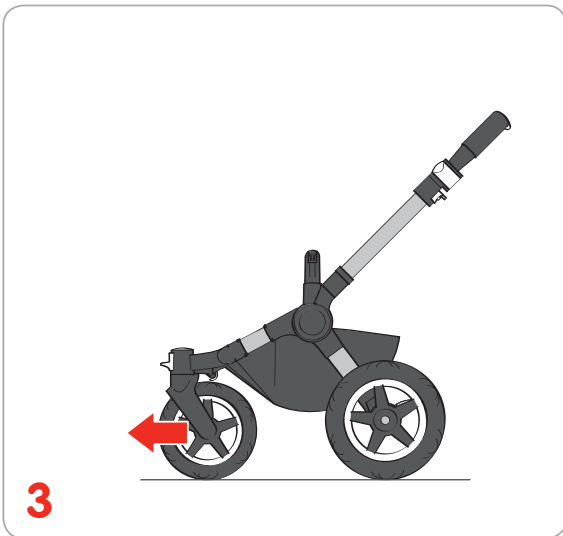
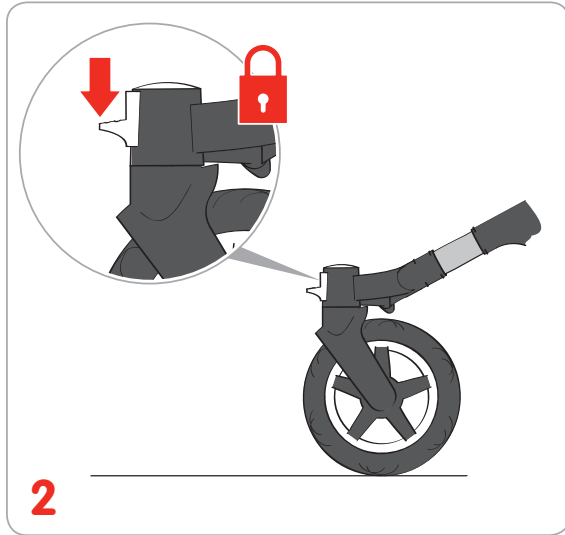
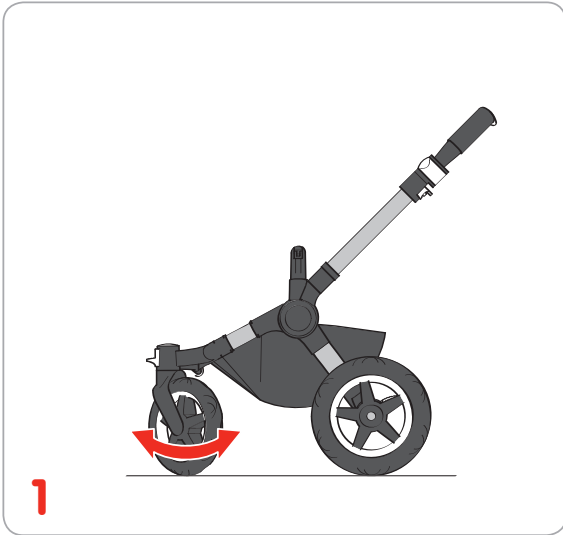


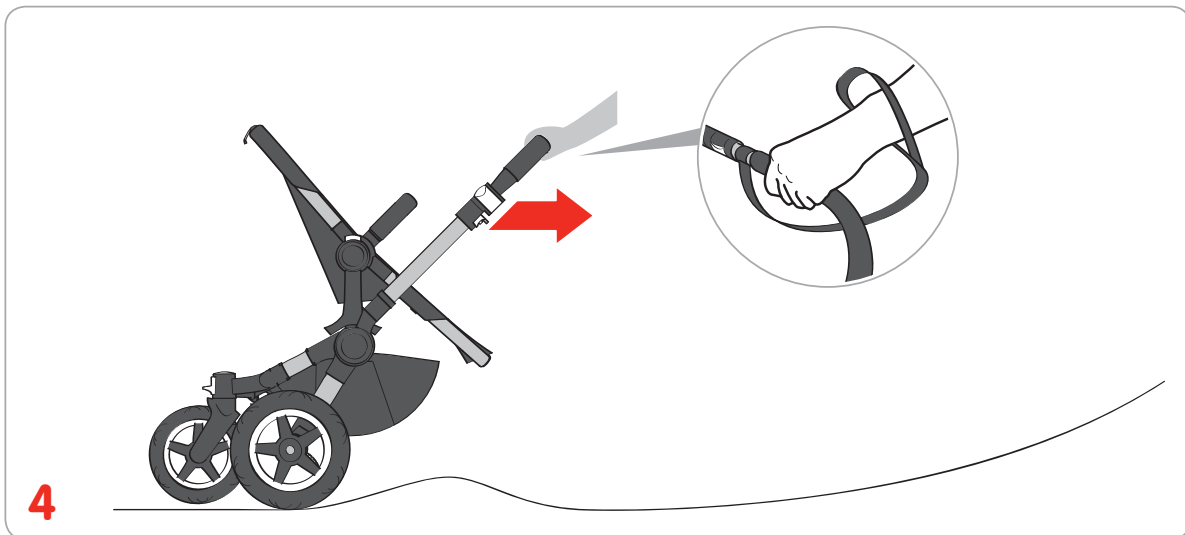
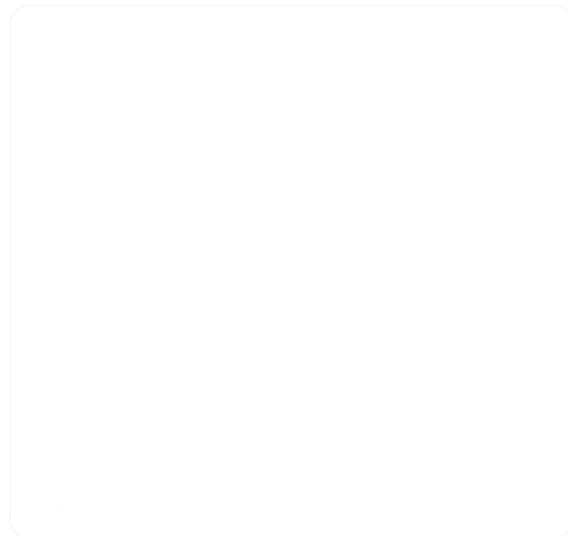
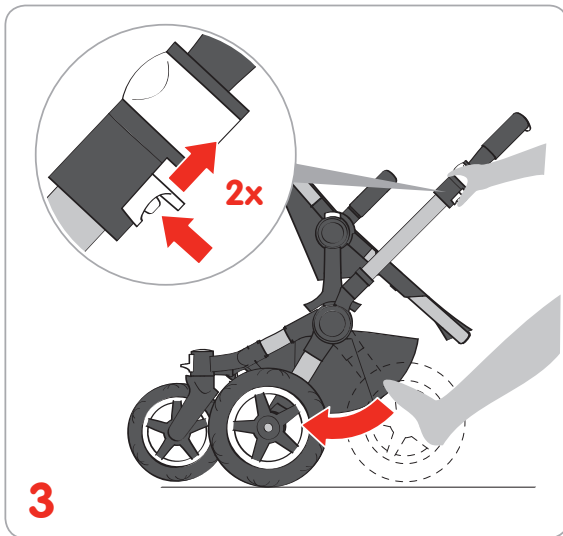
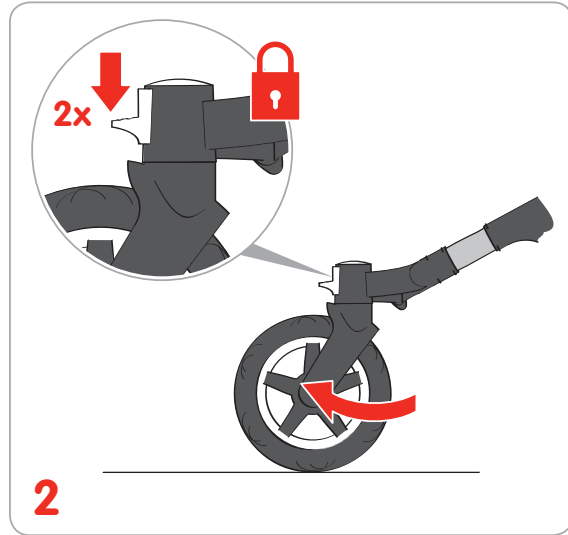
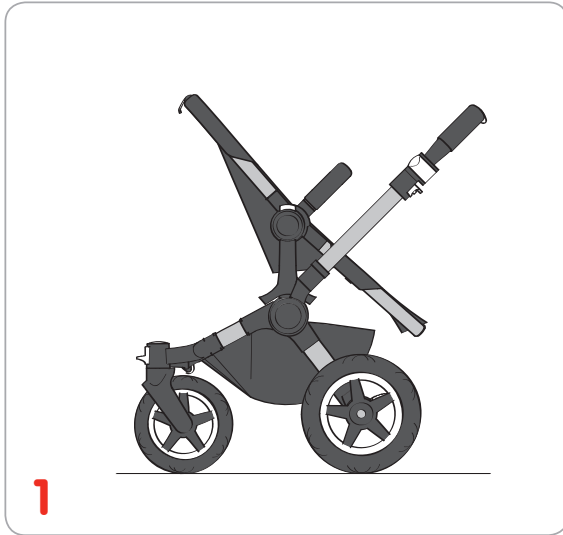




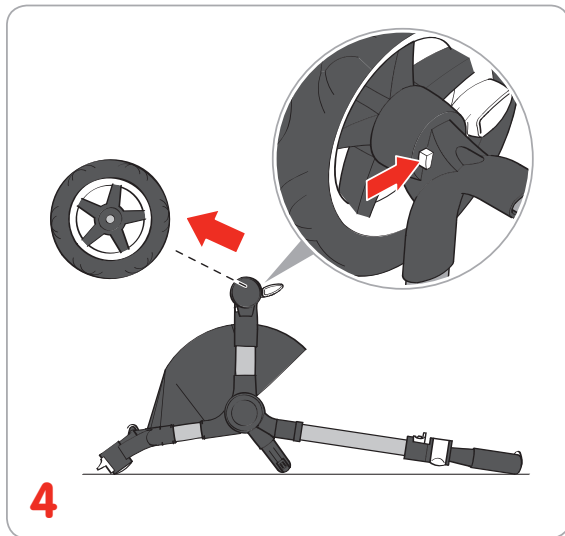
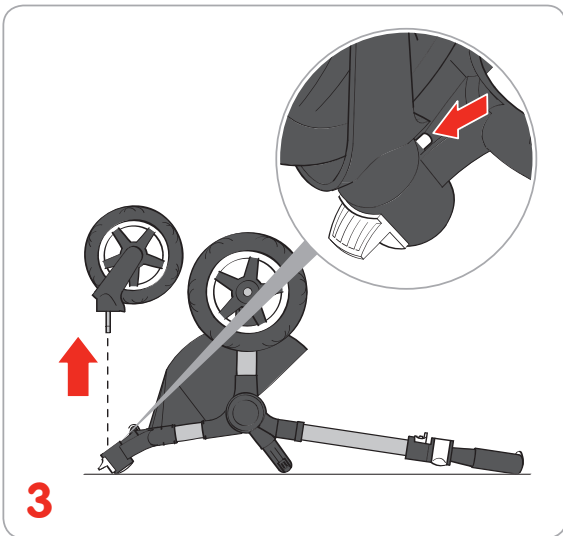
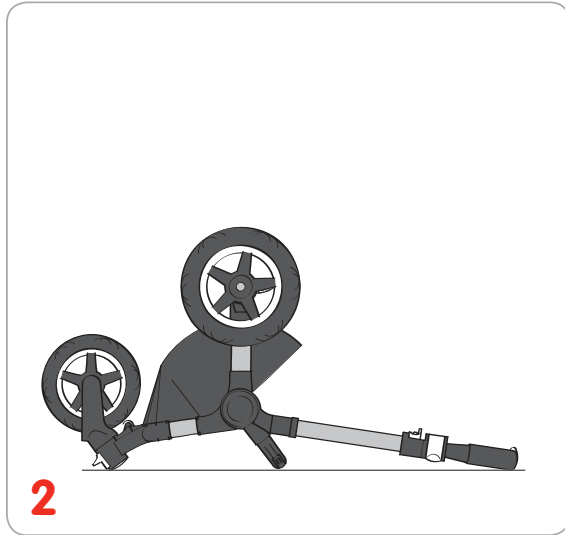
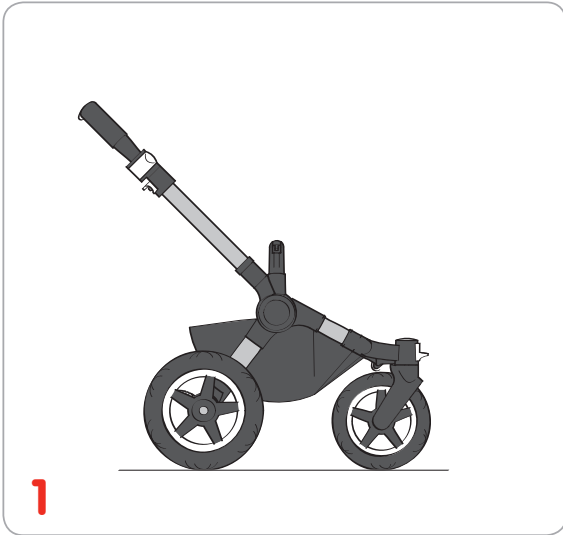


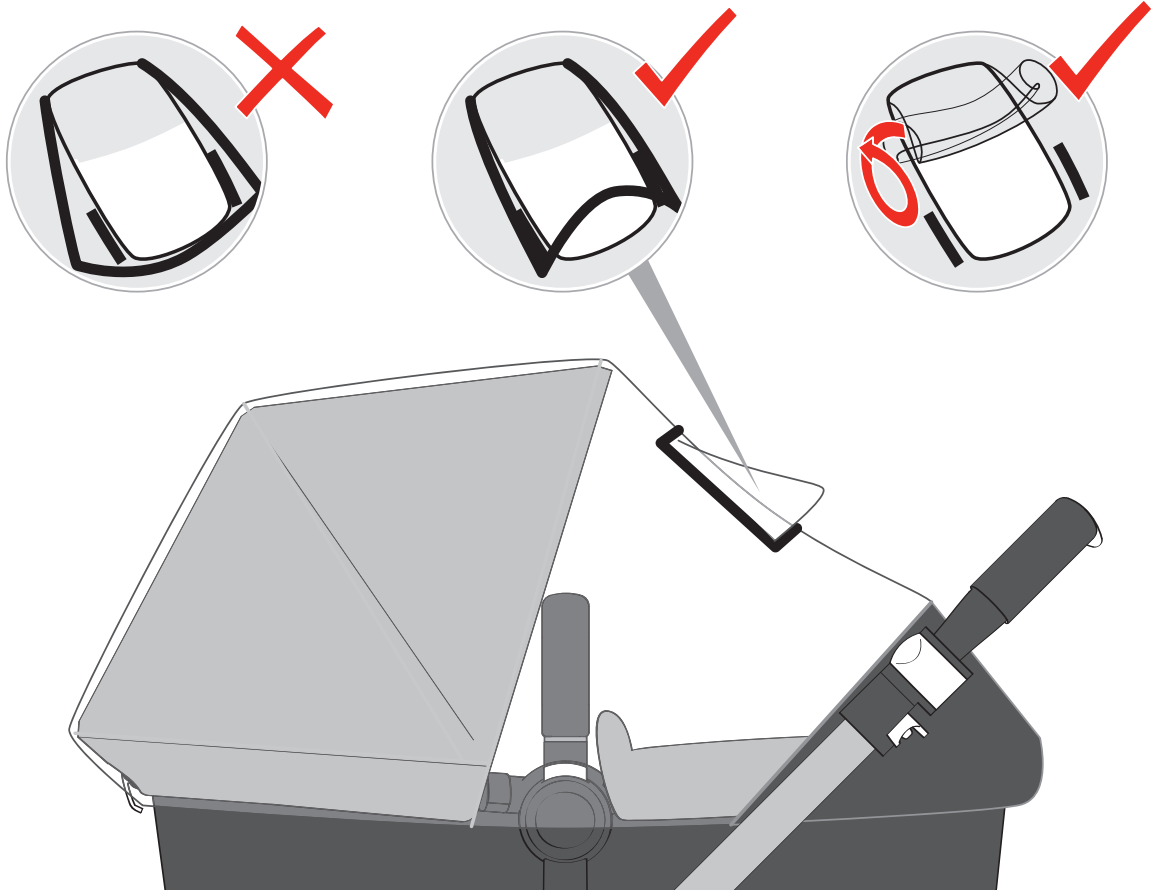
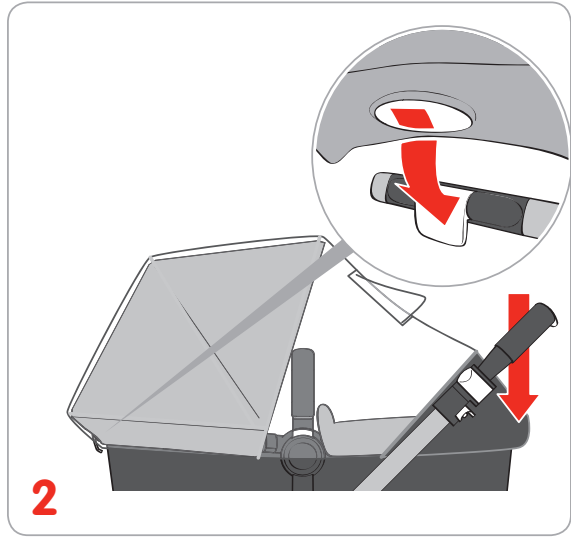
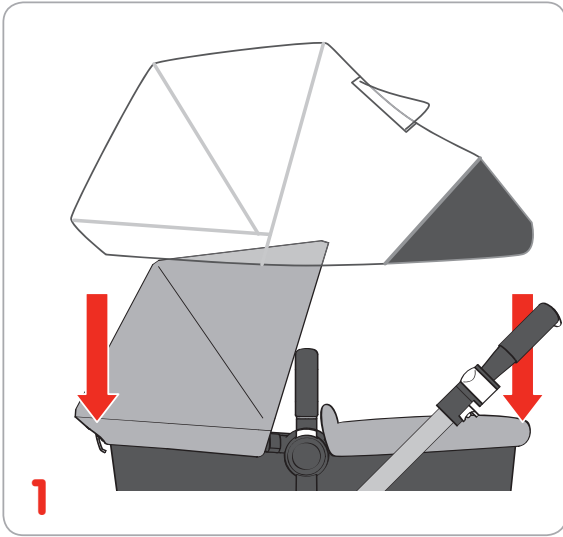












bugaboo europe & asia

bugaboo international bv
po box 1299
1000 bg amsterdam
the netherlands

bugaboo americas

bugaboo north america inc
po box 2051
manhattan beach, ca 90267 - 2051
usa

www.bugaboo.com

partnumber 003142 UG bugaboo donkey rv00